

Order at 訂貨熱線 :

香港批發 / 分銷 T (852) 2781 2855

澳門批發 / 分銷 T (853) 2822 2751

工程 / 商業項目 T (852) 2691 9166

E enquiry@supermoon.hk

www.supermoon.hk



力雄金屬製品有限公司

LIK HUNG METAL MANUFACTURING

■ **PRODUCT CATALOGUE**

電纜槽及配件

CABLE TRUNKINGS & ACCESSORIES

電纜托盤

CABLE TRAYS

電纜梯架

CABLE LADDERS

電纜籃

CABLE BASKETS

‡ 前言 Introduction	3
‡ 工程項目例子 Project Selection	4-5
‡ 產品代號指南 Product Code Guide	6
‡ 電線槽 Cable Trunking	7-14
‡ 電纜托盤 Cable Tray	15-19
‡ 電纜梯架 Cable Ladder	20-23
‡ 電綫籃 Cable Basket	24-25
‡ 防水綫槽 Waterproof Trunking	26-27
‡ 牆邊綫槽 Skirting Trunking	28-29
‡ 地槽 - 款式 Floor Trunking – Types	30
‡ 地臺綫槽 Raised Floor Trunking	31-33
‡ 藏地綫槽 Underfloor Trunking	34-36
‡ 平地綫槽 Flushfloor Trunking	37-39
‡ 常用槽曲款式 Common Fitting Types	40
‡ 電綫容量 Cable Capacity	41

Care • Commitment • Expertise 盡心 • 承諾 • 專業

Since 1985, Lik Hung has been supplying premium Electrical and Cable Containment Products in Hong Kong and China. Our clients associate LH with fast production, high quality and a comprehensive product offering. In 1991, we were appointed one of the major suppliers to The Hong Kong Housing Authority (HA) and The Architectural Service Department (ASD), opening up limitless opportunities in key housing and government projects. We continue to upgrade our capabilities in 2015 when we invested in a new warehouse, tripling our storage area in Hong Kong.

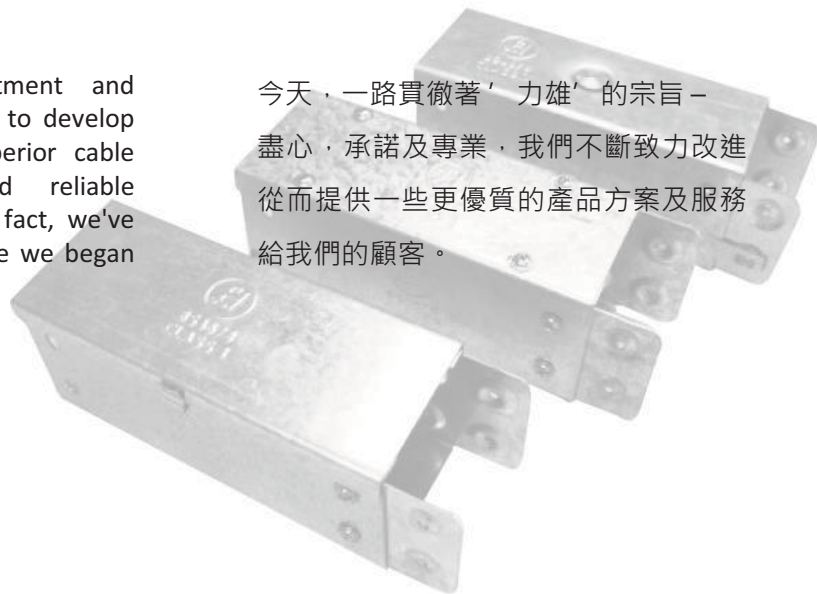
In 1992, we established a production site in Dongguan with a factory consisting of over 10,000 m² in floor area, expanding our production capabilities to over 18,000 tons per year – an equivalent of 50 tons a day. Further expansions in 2007 added 8000 m² of floor area - not only does this facilitate space for up to 250 staff members but it also allows us to employ top-of-the-line machinery.

Today, with care, commitment and expertise, Lik Hung continues to develop and aim to bring more superior cable containment solutions and reliable services to our customer. In fact, we've never stopped improving since we began our journey.

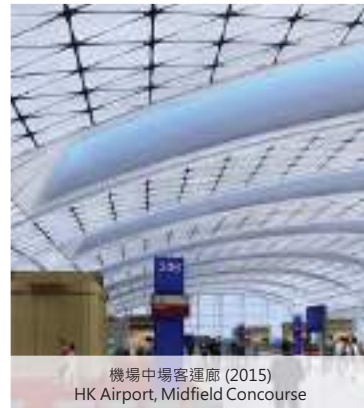
我們自1985年推出'力雄' 電線槽及U槽系列以來，以ISO9001:2000為生產規範，其質優價廉，配套齊備，一直深受各界樂於採用。1991年更被香港政府指定為香港房屋協會及工務局工程用料供應商之一，積極參與無數政府及房協工程。我們2015年繼續改進，把香港倉擴展到大三倍的葵涌地舖倉,大大增加存貨和送貨量。

自1992年移師東莞生產，及後2007年的擴建，我們的產量增長至每年18,000噸 - 相等於每天50噸的貨物。合共18,000平方米的廠房配合超過250名的員工，運用先進的電腦化板金機械成型設備，進一步改善生產技術及交貨時間。

今天，一路貫徹著'力雄'的宗旨 - 盡心，承諾及專業，我們不斷致力改進從而提供一些更優質的產品方案及服務給我們的顧客。



Hong Kong



其他項目可以在公司網站參考

Other references can be found on www.likhung.hk

Macau



澳門銀河酒店1,2期 (2013)
Galaxy Hotel Phase 1,2



永利皇宮 1-5期 (2015)
Wynn Palace Phase 1-5



上葡京 (2015 - 2017)
Lisboa Palace



威尼斯人 (2007 - 2015)
Venetian Resort Hotel



新濠天地 (2009)
City of Dreams

Mainland China



南京 香格里拉 (2013 - 2014)
Nanjing Shangri La



外蒙 香格里拉 (2016)
Outer Mongolia Shangri La



上海國金中心 (2010)
Shanghai IFC



海南三亞君悅酒店 (2014)
Sanya Grand Hyatt Hotel



北京東方廣場 (2000)
Beijing Oriental Plaza

其他項目可以在公司網站參考

Other references can be found on www.likhung.hk

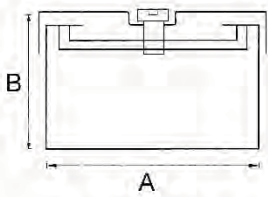
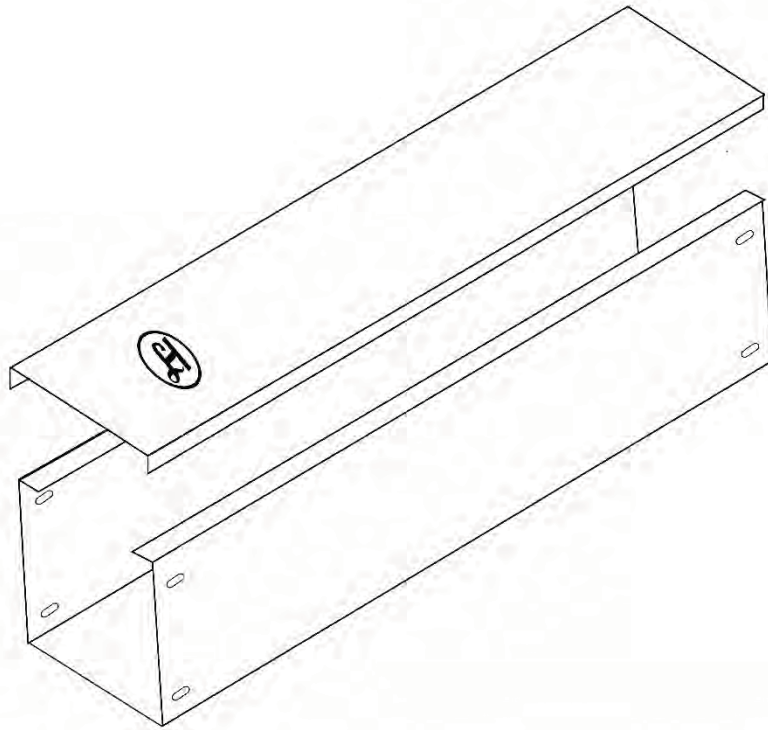
TRUNKING 綫槽, BASKET 綫籃, TRAY 托盤, LADDER 梯架

PRODUCT TYPE 產品類	DIMENSION 尺寸	FITTINGS 配件 / 曲 編號	THICKNESS 厚度	OTHER 其他
QT	4x3	.1	T12	H
TRUNKING 綫槽 QT Centre caption 銅鈕蓋 CT Clip Fix 彈夾蓋 ST Screw Fix 螺絲蓋	4 x 3 4" inches wide 闊 X 3" inches tall 高	.1 90° Bend Front opening 正曲 .2 90° Bend Internal opening 內曲 .3 Tee Bend 三叉曲 .4 90° Bend External opening 外曲 .5 90° Cross Fitting 十字曲 .6 Reducer fitting 刁士 .11 A / B / C 135° Bend Front / Internal / External 135° 正 / 內 / 外 曲	T9 0.9mm T10 1.0mm T11 1.12mm T12 1.2mm T14 1.4mm T15 1.5mm T16 1.6mm T18 1.8mm T20 2.0mm	D Double / Multi compartment 孖格 (Trunking only 綫槽) H Hot Dip 熱浸 P Paint (Epoxy powder) 噴粉 S 304 Stainless Steel 304 不銹鋼 X 316 Stainless steel 316 不銹鋼
CAB Cable basket 電線籃				
TRAY 托盤 SG Single Flange 單邊茜 RG Return Flange 勾邊茜	4 4" inches wide 闊 X (Standard product height 標準高度)			
CL Cable ladder 電纜梯架	100 100mm wide 闊 X (Standard product height 標準高度)			

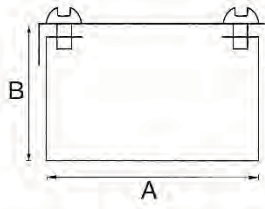
■ Standard:	BS 4678 Part 1 Class 2 & 3 Corrosion Protection, BS1449, BSEN 50085-1,2-1, IEC 61084-1, BSEN 10139, EN 10143, BSEN 10149	■ 規格標準:	BS 4678 Part 1 Class 2 & 3 抗蝕保護, BS1449, BSEN 50085-1,2-1, IEC 61084-1, BSEN 10139, EN 10143, BSEN 10149
■ Trunking Cover type:	Centre Caption (QT) Screw Fix (ST) Clip Fix (CT)	■ 槽蓋款式:	銅鈕蓋 / 肚池 (QT) 螺絲蓋 (ST) 彈夾蓋 (CT)
■ Material:	Galvanised steel sheet Mild steel Stainless Steel Sheet SS304 (S), SS316 (X)	■ 原料:	鍍鋅鋼板 鋼板 不銹鋼板 SS304 (S), SS316 (X)
■ Length:	Standard length of 2.44m, other lengths available on request	■ 長度:	標準 2.44m, 其他長度可按照客需要
■ Thickness:	Comply to BS 4678 Other thicknesses can be made (0.9mm – 2.0mm)	■ 厚度:	符合BS 4678要求 其他厚度由0.9mm - 2.0mm 可按要求生產
■ Finishes:	Hot dip galvanized to BS729, ISO1460, 1461 (H) Coloured Epoxy powder coating (P)	■ 表面處理:	熱浸鋅符合標準 BS729, ISO1460, 1461 (H) 顏色聚脂油粉 (P)
■ Separate Compartments:	2 compartment (D), or multi compartment (T) as requested	■ 槽內間格:	可按照客人的要求製成二倉式(D), 多倉式(T)

* Fittings and accessories meet the same standard and specifications as the trunkings

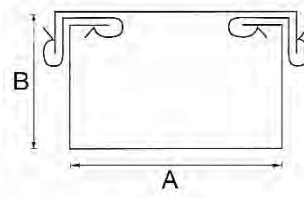
* 綫槽配件的規格及標準完全遵照及配合電綫槽而製成



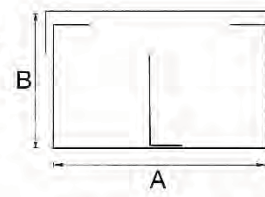
Centre Caption
銅鈕蓋型



Screw Fix
螺絲蓋型



Clip Fix
彈夾蓋型



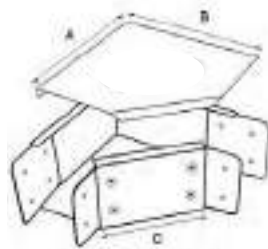
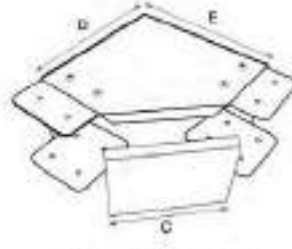
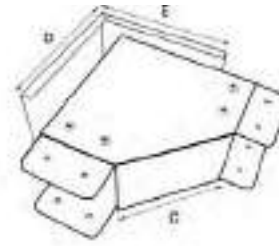
Multi-compartment
分格式

Cable trunking size 電纜槽尺寸 (mm)	Dimension 外型尺寸 (mm)		Model Number 型號		
	A	B	Centre Caption 銅鈕蓋型	Screw Fix 螺絲蓋型	Clip Fix 彈夾蓋型
50 x 50	50	50	QT2X2T10	ST2X2T10	CT2X2T10
75 x 50	75	50	QT3X2T12	ST3X2T12	CT3X2T12
75 x 75	75	75	QT3X3T12	ST3X3T12	CT3X3T12
100 x 75	100	75	QT4X3T12	ST4X3T12	CT4X3T12
100 x 100	100	100	QT4X4T14	ST4X4T14	CT4X4T14
150 x 100	150	100	QT6X4T14	ST6X4T14	CT6X4T14
150 x 150	150	150	QT6X6T16	ST6X6T16	CT6X6T16
200 x 150	200	150	QT8X6T16	ST8X6T16	CT8X6T16
200 x 200	200	200	QT8X8T16	ST8X8T16	CT8X8T16

* Other sizes can be custom made

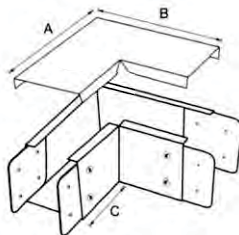
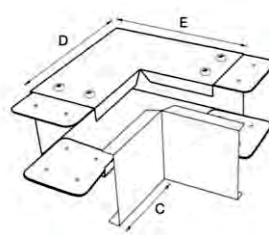
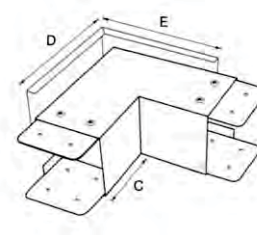
* 其他尺寸可按客戶要求生產

90° 斜角槽曲 90° Mitre bend

Front Opening
正面蓋型Internal Opening
內開蓋型External Opening
外開蓋型

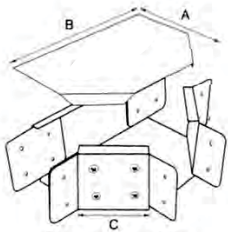
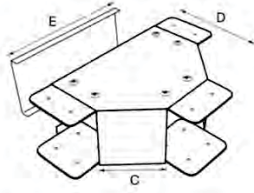
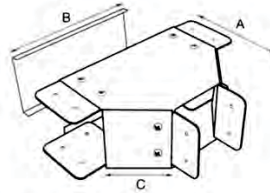
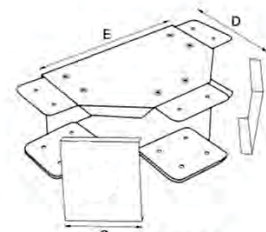
Suitable for trunking size 適用線槽尺寸 (mm)	Dimension 外型尺寸 (mm)					Model: Centre Caption 銅鈕蓋型 (QT), Screw Fix 螺絲蓋型 (ST), Clip fix 彈夾蓋型 (CT)		
	A	B	C	D	E	Front opening 正面蓋型	Internal Opening 內開蓋型	External opening 外開蓋型
50 x 50	125	125	106	125	125	QT/ST/CT 2X2.1T10	QT/ST/CT 2X2.2T10	QT/ST/CT 2X2.4BT10
75 x 50	150	150	106	125	125	QT/ST/CT 3X2.1T12	QT/ST/CT 3X2.2T12	QT/ST/CT 3X2.4BT12
75 x 75	150	150	106	150	150	QT/ST/CT 3X3.1T12	QT/ST/CT 3X3.2T12	QT/ST/CT 3X3.4BT12
100 x 75	175	175	106	150	150	QT/ST/CT 4X3.1T12	QT/ST/CT 4X3.2T12	QT/ST/CT 4X3.4BT12
100 x 100	175	175	106	175	175	QT/ST/CT 4X4.1T14	QT/ST/CT 4X4.2T14	QT/ST/CT 4X4.4BT14
150 x 100	225	225	106	175	175	QT/ST/CT 6X4.1T14	QT/ST/CT 6X4.2T14	QT/ST/CT 6X4.4BT14
150 x 150	225	225	106	225	225	QT/ST/CT 6X6.1T16	QT/ST/CT 6X6.2T16	QT/ST/CT 6X6.4BT16
200 x 150	275	275	106	225	225	QT/ST/CT 8X6.1T16	QT/ST/CT 8X6.2T16	QT/ST/CT 8X6.4BT16
200 x 200	275	275	106	275	275	QT/ST/CT 8X8.1T16	QT/ST/CT 8X8.2T16	QT/ST/CT 8X8.4BT16

90° 死角槽曲 90° Sharp bend

Front Opening
正面蓋型Internal Opening
內開蓋型External Opening
外開蓋型

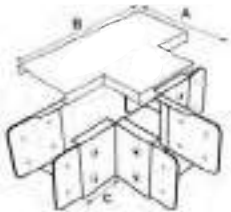
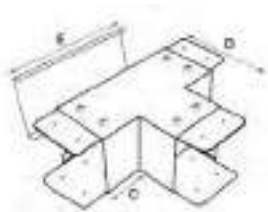
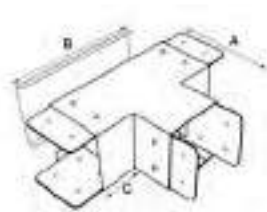
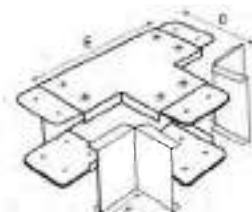
Suitable for trunking size 適用線槽尺寸 (mm)	Dimension 外型尺寸 (mm)					Model: Centre Caption 銅鈕蓋型 (QT), Screw Fix 螺絲蓋型 (ST), Clip fix 彈夾蓋型 (CT)		
	A	B	C	D	E	Front opening 正面蓋型	Internal Opening 內開蓋型	External opening 外開蓋型
50 x 50	125	125	75	125	125	QT/ST/CT 2X2.1AT10	QT/ST/CT 2X2.2AT10	QT/ST/CT 2X2.4AT10
75 x 50	150	150	75	125	125	QT/ST/CT 3X2.1AT12	QT/ST/CT 3X2.2AT12	QT/ST/CT 3X2.4AT12
75 x 75	150	150	75	150	150	QT/ST/CT 3X3.1AT12	QT/ST/CT 3X3.2AT12	QT/ST/CT 3X3.4AT12
100 x 75	175	175	75	150	150	QT/ST/CT 4X3.1AT12	QT/ST/CT 4X3.2AT12	QT/ST/CT 4X3.4AT12
100 x 100	175	175	75	175	175	QT/ST/CT 4X4.1AT14	QT/ST/CT 4X4.2AT14	QT/ST/CT 4X4.4AT14
150 x 100	225	225	75	175	175	QT/ST/CT 6X4.1AT14	QT/ST/CT 6X4.2AT14	QT/ST/CT 6X4.4AT14
150 x 150	225	225	75	225	225	QT/ST/CT 6X6.1AT16	QT/ST/CT 6X6.2AT16	QT/ST/CT 6X6.4AT16
200 x 150	275	275	75	225	225	QT/ST/CT 8X6.1AT16	QT/ST/CT 8X6.2AT16	QT/ST/CT 8X6.4AT16
200 x 200	275	275	75	275	275	QT/ST/CT 8X8.1AT16	QT/ST/CT 8X8.2AT16	QT/ST/CT 8X8.4AT16

斜角三叉 Mitre tee

Front Opening
正面蓋型Top Opening - Type 1
頂開蓋型 - 款式 1Top Opening - Type 2
頂開蓋型 - 款式 2Internal Opening
內開蓋型

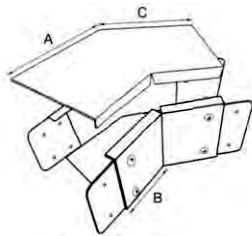
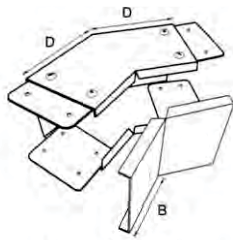
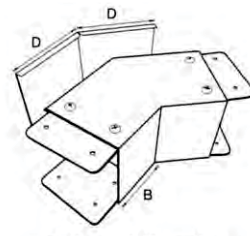
Suitable for trunking size 適用線槽尺寸 (mm)	Dimension 外型尺寸 (mm)					Model: Centre Caption 銅鈕蓋型 (QT), Screw Fix 螺絲蓋型 (ST), Clip fix 彈夾蓋型 (CT)			
	A	B	C	D	E	Front opening 正面蓋型	Top opening - Type 1 頂開蓋型-款式1	Top opening - Type 2 頂開蓋型-款式2	Internal Opening 內開蓋型
50 x 50	100	150	70	100	150	QT/ST/CT 2X2.3T10	QT/ST/CT 2X2.13B1T10	QT/ST/CT 2X2.13B2T10	QT/ST/CT 2X2.13CDT10
75 x 50	125	175	70	100	150	QT/ST/CT 3X2.3T12	QT/ST/CT 3X2.13B1T12	QT/ST/CT 3X2.13B2T12	QT/ST/CT 3X2.13CDT12
75 x 75	125	175	70	125	175	QT/ST/CT 3X3.3T12	QT/ST/CT 3X3.13B1T12	QT/ST/CT 3X3.13B2T12	QT/ST/CT 3X3.13CDT12
100 x 75	150	200	70	125	175	QT/ST/CT 4X3.3T12	QT/ST/CT 4X3.13B1T12	QT/ST/CT 4X3.13B2T12	QT/ST/CT 4X3.13CDT12
100 x 100	150	200	70	150	200	QT/ST/CT 4X4.3T14	QT/ST/CT 4X4.13B1T14	QT/ST/CT 4X4.13B2T14	QT/ST/CT 4X4.13CDT14
150 x 100	225	300	106	175	250	QT/ST/CT 6X4.3T14	QT/ST/CT 6X4.13B1T14	QT/ST/CT 6X4.13B2T14	QT/ST/CT 6X4.13CDT14
150 x 150	225	300	106	225	300	QT/ST/CT 6X6.3T16	QT/ST/CT 6X6.13B1T16	QT/ST/CT 6X6.13B2T16	QT/ST/CT 6X6.13CDT16
200 x 150	275	350	106	225	300	QT/ST/CT 8X6.3T16	QT/ST/CT 8X6.13B1T16	QT/ST/CT 8X6.13B2T16	QT/ST/CT 8X6.13CDT16
200 x 200	275	350	106	275	350	QT/ST/CT 8X8.3T16	QT/ST/CT 8X8.13B1T16	QT/ST/CT 8X8.13B2T16	QT/ST/CT 8X8.13CDT16

死角三叉 Sharp tee

Front Opening
正面蓋型Top Opening - Type 1
頂開蓋型 - 款式 1Top Opening - Type 2
頂開蓋型 - 款式 2Internal Opening
內開蓋型

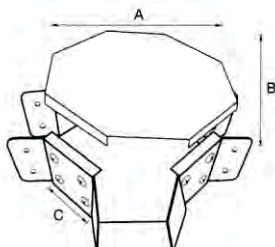
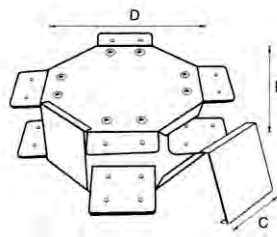
Suitable for trunking size 適用線槽尺寸 (mm)	Dimension 外型尺寸 (mm)					Model: Centre Caption 銅鈕蓋型 (QT), Screw Fix 螺絲蓋型 (ST), Clip fix 彈夾蓋型 (CT)			
	A	B	C	D	E	Front opening 正面蓋型	Top opening - Type 1 頂開蓋型-款式1	Top opening - Type 2 頂開蓋型-款式2	Internal Opening 內開蓋型
50 x 50	100	150	50	100	150	QT/ST/CT 2X2.3AT10	QT/ST/CT 2X2.13AB1T10	QT/ST/CT 2X2.13AB2T10	QT/ST/CT 2X2.13ACDT10
75 x 50	125	175	50	100	150	QT/ST/CT 3X2.3AT12	QT/ST/CT 3X2.13AB1T12	QT/ST/CT 3X2.13AB2T12	QT/ST/CT 3X2.13ACDT12
75 x 75	125	175	50	125	175	QT/ST/CT 3X3.3AT12	QT/ST/CT 3X3.13AB1T12	QT/ST/CT 3X3.13AB2T12	QT/ST/CT 3X3.13ACDT12
100 x 75	150	200	50	125	175	QT/ST/CT 4X3.3AT12	QT/ST/CT 4X3.13AB1T12	QT/ST/CT 4X3.13AB2T12	QT/ST/CT 4X3.13ACDT12
100 x 100	150	200	50	150	200	QT/ST/CT 4X4.3AT14	QT/ST/CT 4X4.13AB1T14	QT/ST/CT 4X4.13AB2T14	QT/ST/CT 4X4.13ACDT14
150 x 100	225	300	75	175	250	QT/ST/CT 6X4.3AT14	QT/ST/CT 6X4.13AB1T14	QT/ST/CT 6X4.13AB2T14	QT/ST/CT 6X4.13ACDT14
150 x 150	225	300	75	225	300	QT/ST/CT 6X6.3AT16	QT/ST/CT 6X6.13AB1T16	QT/ST/CT 6X6.13AB2T16	QT/ST/CT 6X6.13ACDT16
200 x 150	275	350	75	225	300	QT/ST/CT 8X6.3AT16	QT/ST/CT 8X6.13AB1T16	QT/ST/CT 8X6.13AB2T16	QT/ST/CT 8X6.13ACDT16
200 x 200	275	350	75	275	350	QT/ST/CT 8X8.3AT16	QT/ST/CT 8X8.13AB1T16	QT/ST/CT 8X8.13AB2T16	QT/ST/CT 8X8.13ACDT16

135° 斜角槽曲 135° Bend

Front Opening
正面蓋型Internal Opening
內開蓋型External Opening
外開蓋型

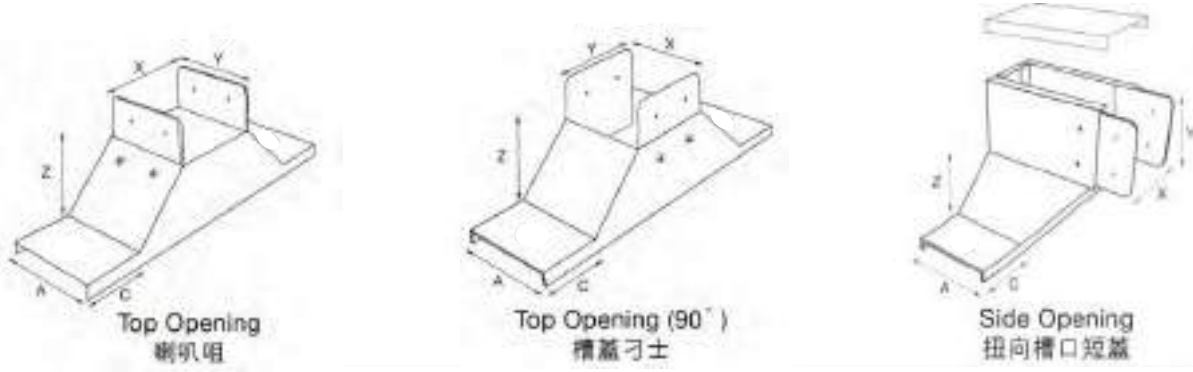
Suitable for trunking size 適用線槽尺寸 (mm)	Dimension 外型尺寸 (mm)				Model: Centre Caption 銅鈕蓋型 (QT), Screw Fix 螺絲蓋型 (ST), Clip fix 彈夾蓋型 (CT)		
	A	B	C	D	Front opening 正面蓋型	Internal Opening 內開蓋型	External opening 外開蓋型
50 x 50	95	75	95	95	QT/ST/CT 2X2.11AT10	QT/ST/CT 2X2.11BT10	QT/ST/CT 2X2.11CT10
75 x 50	105	75	105	95	QT/ST/CT 3X2.11AT12	QT/ST/CT 3X2.11BT12	QT/ST/CT 3X2.11CT12
75 x 75	105	75	105	105	QT/ST/CT 3X3.11AT12	QT/ST/CT 3X3.11BT12	QT/ST/CT 3X3.11CT12
100 x 75	116	75	116	105	QT/ST/CT 4X3.11AT12	QT/ST/CT 4X3.11BT12	QT/ST/CT 4X3.11CT12
100 x 100	116	75	116	116	QT/ST/CT 4X4.11AT14	QT/ST/CT 4X4.11BT14	QT/ST/CT 4X4.11CT14
150 x 100	137	75	137	116	QT/ST/CT 6x4.11AT14	QT/ST/CT 6x4.11BT14	QT/ST/CT 6x4.11CT14
150 x 150	137	75	137	137	QT/ST/CT 6x6.11AT16	QT/ST/CT 6x6.11BT16	QT/ST/CT 6x6.11CT16
200 x 150	157	75	157	137	QT/ST/CT 8x6.11AT16	QT/ST/CT 8x6.11BT16	QT/ST/CT 8x6.11CT16
200 x 200	157	75	157	157	QT/ST/CT 8x8.11AT16	QT/ST/CT 8x8.11BT16	QT/ST/CT 8x8.11CT16

90° 十字槽曲 Mitre Cross

Front Opening
正面蓋型External Opening
外開蓋型

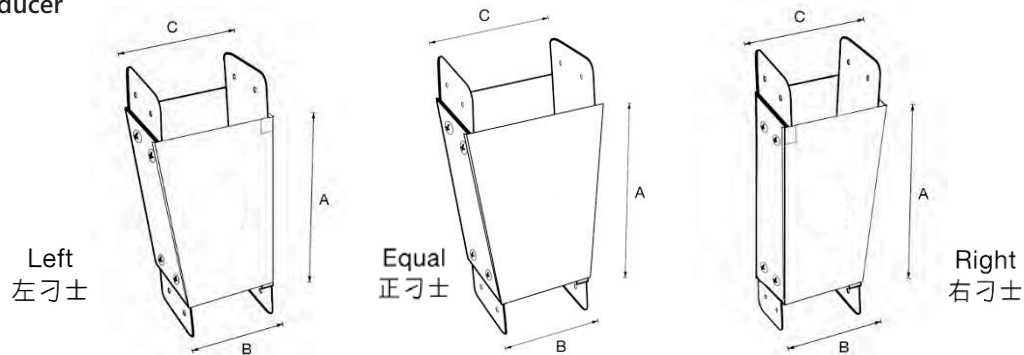
Suitable for trunking size 適用線槽尺寸 (mm)	Dimension 外型尺寸 (mm)					Model: Centre Caption 銅鈕蓋型 (QT), Screw Fix 螺絲蓋型 (ST), Clip fix 彈夾蓋型 (CT)	
	A	B	C	D	E	Flat Bend 正曲型	Internal Bend 內曲型
50 x 50	150	150	70	150	150	QT/ST/CT 2X2.5T10	QT/ST/CT 2X2.5CDT10
75 x 50	175	175	70	150	150	QT/ST/CT 3X2.5T12	QT/ST/CT 3X2.5CDT12
75 x 75	175	175	70	175	175	QT/ST/CT 3X3.5T12	QT/ST/CT 3X3.5CDT12
100 x 75	200	200	70	175	175	QT/ST/CT 4X3.5T12	QT/ST/CT 4X3.5CDT12
100 x 100	200	200	70	200	200	QT/ST/CT 4X4.5T14	QT/ST/CT 4X4.5CDT14
150 x 100	300	300	106	250	250	QT/ST/CT 6x4.5T14	QT/ST/CT 6x4.5CDT14
150 x 150	300	300	106	300	300	QT/ST/CT 6x6.5T16	QT/ST/CT 6x6.5CDT16
200 x 150	350	350	106	300	300	QT/ST/CT 8x6.5T16	QT/ST/CT 8x6.5CDT16
200 x 200	350	350	106	350	350	QT/ST/CT 8x8.5T16	QT/ST/CT 8x8.5CDT16

槽蓋刁士 Flared Connector



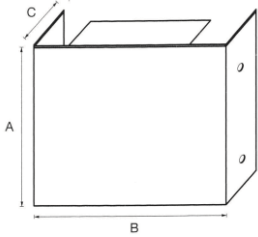
Suitable for trunking size 適用線槽尺寸 (mm)	Dimension 外型尺寸 (mm)					Model: Centre Caption 銅鈕蓋型 (QT), Screw Fix 螺絲蓋型 (ST), Clip fix 彈夾蓋型 (CT)		
	A	C	X	Y	Z	Top Opening 喇叭咀	Top Opening (90°) 槽蓋刁士	Side Opening 扭向槽口短蓋
50 x 50	50	50	50	50	50	QT/ST/CT 2X2.15AT10	QT/ST/CT 2X2.15BT10	QT/ST/CT 2X2.17T10
75 x 50	75	50	75	50	50	QT/ST/CT 3X2.15AT12	QT/ST/CT 3X2.15BT12	QT/ST/CT 3X2.17T12
75 x 75	75	50	75	75	50	QT/ST/CT 3X3.15AT12	QT/ST/CT 3X3.15BT12	QT/ST/CT 3X3.17T12
100 x 75	100	50	100	75	50	QT/ST/CT 4X3.15AT12	QT/ST/CT 4X3.15BT12	QT/ST/CT 4X3.17T12
100 x 100	100	50	100	100	50	QT/ST/CT 4X4.15AT14	QT/ST/CT 4X4.15BT14	QT/ST/CT 4X4.17T14
150 x 100	150	50	150	100	50	QT/ST/CT 6x4.15AT14	QT/ST/CT 6x4.15BT14	QT/ST/CT 6x4.17T14
150 x 150	150	50	150	150	50	QT/ST/CT 6x6.15AT16	QT/ST/CT 6x6.15BT16	QT/ST/CT 6x6.17T16
200 x 150	200	50	200	150	50	QT/ST/CT 8x6.15AT16	QT/ST/CT 8x6.15BT16	QT/ST/CT 8x6.17T16
200 x 200	200	50	200	200	50	QT/ST/CT 8x8.15AT16	QT/ST/CT 8x8.15BT16	QT/ST/CT 8x8.17T16

刁士 Reducer



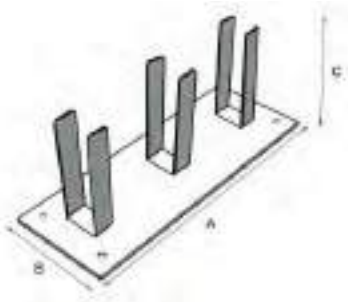
Suitable for trunking size 適用線槽尺寸 (mm)	Dimension 外型尺寸 (mm)			Model: Centre Caption 銅鈕蓋型 (QT), Screw Fix 螺絲蓋型 (ST), Clip fix 彈夾蓋型 (CT)
	A	B	C	
75x75-50x50	150	50	75	QT/ST/CT3X3.6T10
100x50-50x50	150	50	100	QT/ST/CT4X2.6T12
100x100-75x75	150	75	100	QT/ST/CT4X4.6T12
150x100-100x100	200	100	150	QT/ST/CT6X4.6T12
150x150-100x100	200	100	150	QT/ST/CT6X6.6T12
200x200 - 150x150	200	150	200	QT/ST/CT8x8.6T16

槽尾凸 End Cap



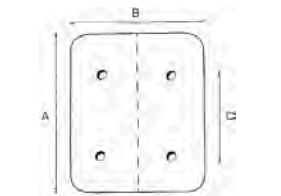
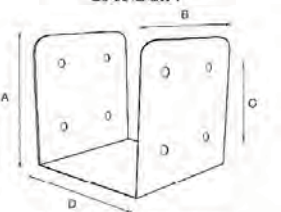
Suitable for trunking size 適用線槽尺寸 (mm)	Dimension 外型尺寸 (mm)			Model Number 型號
	A	B	C	
50 x 50	48	48	25	ECS2X2
75 x 50	48	73	25	ECS3X2
75 x 75	73	73	25	ECS3X3
100 x 75	73	98	25	ECS4X3
100 x 100	98	98	25	ECS4X4
150 x 100	98	148	25	ECS6X4
150 x 150	148	148	25	ECS6X6
200 x 150	148	198	25	ECS8X6
200 x 200	198	198	25	ECS8X8

電纜掛片 Cable Support



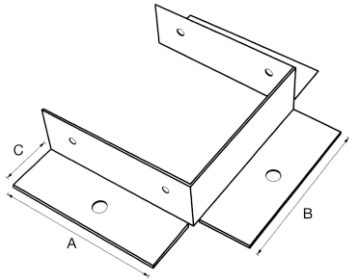
Suitable for trunking size 適用線槽尺寸 (mm)	Dimension 外型尺寸 (mm)			Model Number 型號
	A	B	C	
50 x 50	250	45	45	CSF2X2
75 x 50	250	70	45	CSF3X2
75 x 75	250	70	70	CSF3X3
100 x 75	250	95	70	CSF4X3
100 x 100	250	95	95	CSF4X4
150 x 100	250	145	95	CSF6X4
150 x 150	250	145	145	CSF6X6
200 x 150	250	195	145	CSF8X6
200 x 200	250	195	195	CSF8X8

槽駁片 Trunking Connector

Couple Connector
對裝槽駁片U-Shaped Connector
U 型槽駁片

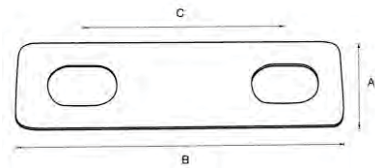
Suitable for trunking size 適用線槽尺寸 (mm)	Dimension 外型尺寸 (mm)				Model Number 型號	
	A	B	C	D	Couple Connector 對裝槽駁片	U-shaped Connector U 型槽駁片
50 x 50	45	70	-	48	CPF2	CPUF2X2
75 x 50	45	70	-	73	CPF2	CPUF3X2
75 x 75	70	70	35	73	CPF3	CPUF3X3
100 x 75	70	70	35	98	CPF3	CPUF4X3
100 x 100	95	70	60	98	CPF4	CPUF4X4
150 x 100	95	70	60	148	CPF4	CPUF6X4
150 x 150	145	70	111	148	CPF6	CPUF6X6
200 x 150	145	70	111	198	CPF6	CPUF8X6
200 x 200	195	70	160	198	CPF8	CPUF8X8

槽吊咀 Flange



Suitable for trunking size 適用線槽尺寸 (mm)	Dimension 外型尺寸 (mm)			Model Number 型號
	A	B	C	
50 x 50	48	48	25	FF2X2
75 x 50	48	73	25	FF3X2
75 x 75	73	73	25	FF3X3
100 x 75	73	98	25	FF4X3
100 x 100	98	98	25	FF4X4
150 x 100	98	148	25	FF6X4
150 x 150	148	148	25	FF6X6
200 x 150	148	198	25	FF8X6
200 x 200	198	198	25	FF8X8

銅水綫片 Copper Earth Links



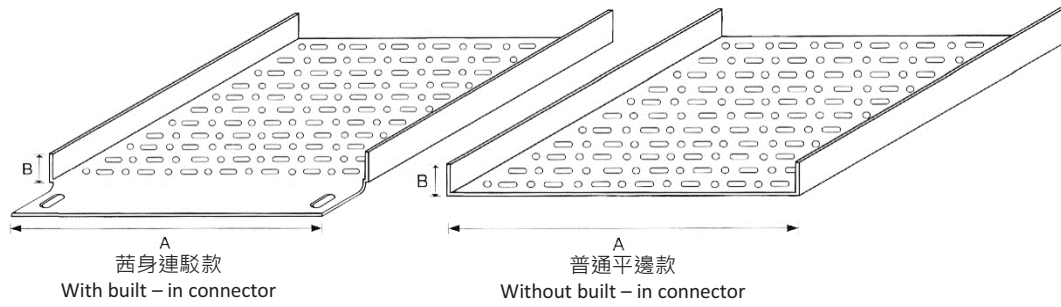
For project type 用於工程種類	Dimension 外型尺寸 (mm)				Model Number 型號
	Thickness 厚度 mm	A	B	C	
Business Project 一般商用電綫槽	0.6	15	57	35	EL75
Architectural Services Department project 工務局用電綫槽	1	15	57	35	EL100
Housing Authority Project 房屋處用電綫槽	3	25	58	35	EL150

■ Standard:	BS1449, BSEN 10139, BSEN 10149, IEC61537	■ 規格標準:	BS1449, BSEN 10139, BSEN 10149, IEC61537
■ Flange Type:	Single Flange (SG) Return Flange (RG)	■ 摺邊款式:	單摺邊 (SG) 勾摺邊 (RG)
■ Flange Height:	Complies with HK government project specifications Other heights can be produced as required	■ 邊高:	符合香港政府有關部門 要求 其他高度可按要求製成
■ Tray end style:	With / without built-in connector	■ 茜身款:	茜身連駁咀款 普通平邊款
■ Material:	Galvanised steel sheet Mild steel Stainless Steel Sheet SS304 (S), SS316 (X)	■ 原料:	鍍鋅鋼板 鋼板 不銹鋼板 SS304 (S), SS316 (X)
■ Length:	Standard length of 2.44m, other lengths available on request	■ 長度:	標準 2.44m 其他長度可按照客需要
■ Thickness:	Complies with HK government project specifications Other thicknesses can be produced as required	■ 厚度:	符合香港政府有關部門 要求 其他厚度可按要求製成
■ Finishes:	Hot dip galvanized to BS 729, ISO 1460, 1461 (H) Coloured Epoxy powder coating (P)	■ 表面處理:	熱浸鋅符合英國標準 BS 729, ISO 1460, 1461 (H) 顏色聚脂油粉 (P)

* Fittings and accessories meet the same standard and specifications as the trays

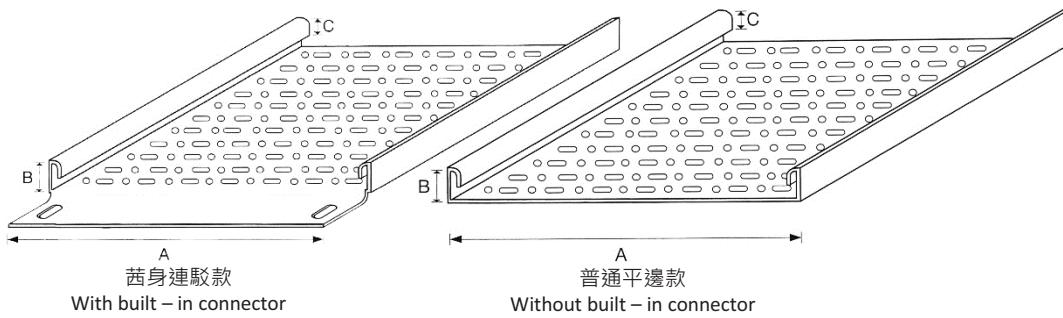
* 托盤配件的規格及標準完全遵照及配合托盤而製成

單摺邊式 Single Flange Type



Cable Tray size 電纜托盤 (mm)	Dimension 外型尺寸 (mm)			Model number 型號			
	A	B		Galvanised Steel 鍍鋅鋼	Hot-dipped Galvanised 熱浸鋅	Stainless Steel SS304 不銹鋼 SS304	Stainless Steel 316 不銹鋼 SS316
50	50	13		SG2T12	SG2T12H	SG2T12S	SG2T12X
75	75	13		SG3T12	SG3T12H	SG3T12S	SG3T12X
100	100	13		SG4T12	SG4T12H	SG4T12S	SG4T12X
150	150	13		SG6T12	SG6T12H	SG6T12S	SG6T12X
200	200	13		SG8T16	SG8T16H	SG8T15S	SG8T15X
250	250	13		SG10T16	SG10T16H	SG10T15S	SG10T15X
300	300	20		SG12T16	SG12T16H	SG12T15S	SG12T15X
400	400	20		SG16T16	SG16T16H	SG16T15S	SG16T15X
600	600	20		SG24T20	SG24T20H	SG24T15S	SG24T15X
900	900	20		SG36T20	SG36T20H	SG36T15S	SG36T15X

勾摺邊式 Return Flange Type

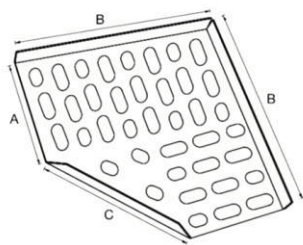
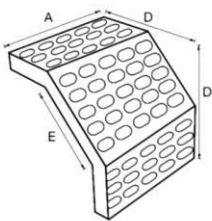
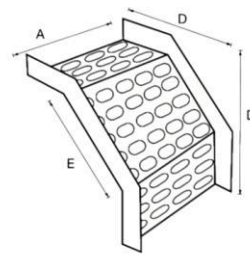


Cable Tray size 電纜托盤 (mm)	Dimension 外型尺寸 (mm)			Model number 型號			
	A	B	C	Galvanised Steel 鍍鋅鋼	Hot-dipped Galvanised 熱浸鋅	Stainless Steel SS304 不銹鋼 SS304	Stainless Steel 316 不銹鋼 SS316
50	50	20	13	RG2T12	RG2T12H	RG2T12S	RG2T12X
75	75	20	13	RG3T12	RG3T12H	RG3T12S	RG3T12X
100	100	20	13	RG4T12	RG4T12H	RG4T12S	RG4T12X
150	150	20	13	RG6T12	RG6T12H	RG6T12S	RG6T12X
200	200	20	13	RG8T16	RG8T16H	RG8T15S	RG8T15X
250	250	20	13	RG10T16	RG10T16H	RG10T15S	RG10T15X
300	300	20	13	RG12T16	RG12T16H	RG12T15S	RG12T15X
400	400	20	13	RG16T16	RG16T16H	RG16T15S	RG16T15X
600	600	20	13	RG24T20	RG24T20H	RG24T15S	RG24T15X
900	900	20	13	RG36T20	RG36T20H	RG36T15S	RG36T15X

* Other sizes can be custom made

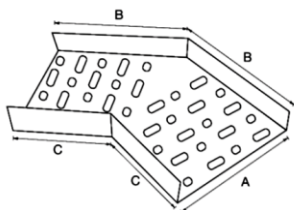
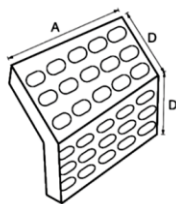
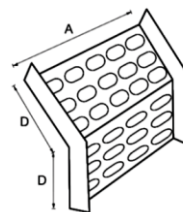
* 其他尺寸可按客戶要求生產

90° 斜角茜曲 90° Mitre bend

Flat Bend
正曲型Internal Bend
內曲型External Bend
外曲型

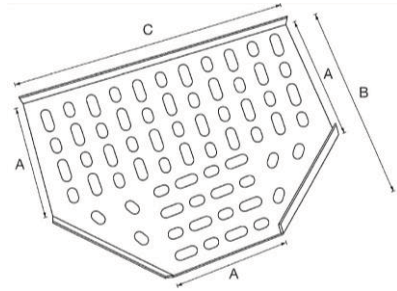
Suitable for tray size 適用電纜托盤尺寸 (mm)	Dimension 外型尺寸 (mm)					Model: Single Flange 單摺邊式 (SG), Return Flange 勾摺邊式 (RG)		
	A	B	C	D	E	Flat Bend 正曲型	Internal Bend 內曲型	External Bend 外曲型
50	50	125	106	150	106	SG/RG2.1T12H	SG/RG2.2T12H	SG/RG2.4BT12H
75	75	150	106	150	106	SG/RG3.1T12H	SG/RG3.2T12H	SG/RG3.4BT12H
100	100	175	106	150	106	SG/RG4.1T12H	SG/RG4.2T12H	SG/RG4.4BT12H
150	150	225	106	150	106	SG/RG6.1T12H	SG/RG6.2T12H	SG/RG6.4BT12H
200	200	300	141	175	106	SG/RG8.1T16H	SG/RG8.2T16H	SG/RG8.4BT16H
250	250	350	141	175	106	SG/RG10.1T16H	SG/RG10.2T16H	SG/RG10.4BT16H
300	300	400	141	225	106	SG/RG12.1T16H	SG/RG12.2T16H	SG/RG12.4BT16H
400	400	525	177	275	106	SG/RG16.1T16H	SG/RG16.2T16H	SG/RG16.4BT16H
600	600	750	212	325	106	SG/RG24.1T20H	SG/RG24.2T20H	SG/RG24.4BT20H
900	900	1050	212	325	106	SG/RG36.1T20H	SG/RG36.2T20H	SG/RG36.4BT20H

135° 斜角茜曲 135° Mitre Bend

Flat Bend
正曲型Internal Bend
內曲型External Bend
外曲型

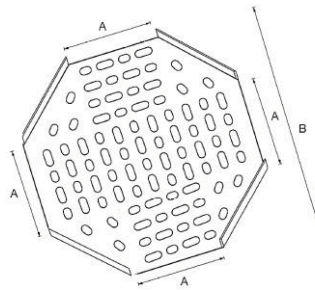
Suitable for tray size 適用電纜托盤尺寸 (mm)	Dimension 外型尺寸 (mm)				Model: Single Flange 單摺邊式 (SG), Return Flange 勾摺邊式 (RG)		
	A	B	C	D	Flat Bend 正曲型	Internal Bend 內曲型	External Bend 外曲型
50	50	95	75	75	SG/RG2.11AT12H	SG/RG2.11BT12H	SG/RG2.11CT12H
75	75	106	75	75	SG/RG3.11AT12H	SG/RG3.11BT12H	SG/RG3.11CT12H
100	100	116	75	75	SG/RG4.11AT12H	SG/RG4.11BT12H	SG/RG4.11CT12H
150	150	137	75	75	SG/RG6.11AT12H	SG/RG6.11BT12H	SG/RG6.11CT12H
200	200	158	75	75	SG/RG8.11AT16H	SG/RG8.11BT16H	SG/RG8.11CT16H
250	250	203	100	100	SG/RG10.11AT16H	SG/RG10.11BT16H	SG/RG10.11CT16H
300	300	224	100	100	SG/RG12.11AT16H	SG/RG12.11BT16H	SG/RG12.11CT16H
400	400	366	200	200	SG/RG16.11AT16H	SG/RG16.11BT16H	SG/RG16.11CT16H
600	600	548	300	300	SG/RG24.11AT20H	SG/RG24.11BT20H	SG/RG24.11CT20H
900	900	673	300	300	SG/RG36.11AT20H	SG/RG36.11BT20H	SG/RG36.11CT20H

斜角三叉 Mitre Tee



Suitable for tray size 適用電纜托盤尺寸 (mm)	Dimension 外型尺寸 (mm)			Model: Single Flange 單摺邊式 (SG), Return Flange 勾摺邊式 (RG)
	A	B	C	
50	50	125	200	SG/RG2.3T12H
75	75	150	225	SG/RG3.3T12H
100	100	175	250	SG/RG4.3T12H
150	150	225	300	SG/RG6.3T12H
200	200	300	400	SG/RG8.3T16H
250	250	350	450	SG/RG10.3T16H
300	300	400	500	SG/RG12.3T16H
400	400	525	650	SG/RG16.3T16H
600	600	750	900	SG/RG24.3T20H
900	900	1050	1200	SG/RG36.3T20H

十字曲 Mitre Cross



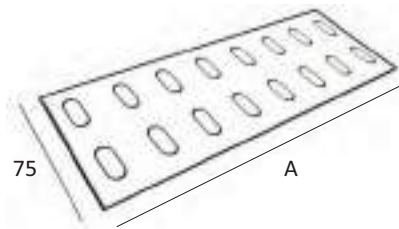
Suitable for tray size 適用電纜托盤尺寸 (mm)	Dimension 外型尺寸 (mm)		Model: Single Flange 單摺邊式 (SG), Return Flange 勾摺邊式 (RG)
	A	B	
50	50	200	SG/RG2.5T12H
75	75	225	SG/RG3.5T12H
100	100	250	SG/RG4.5T12H
150	150	300	SG/RG6.5T12H
200	200	400	SG/RG8.5T16H
250	250	450	SG/RG10.5T16H
300	300	500	SG/RG12.5T16H
400	400	650	SG/RG16.5T16H
600	600	900	SG/RG24.5T20H
900	900	1200	SG/RG36.5T20H

刁士 Reducer



Suitable for tray size 適用電纜托盤尺寸 (mm)	Dimension 外型尺寸 (mm)			Model: Single Flange 單摺邊式 (SG), Return Flange 勾摺邊式 (RG)
	A	B	C	
75 - 50	150	50	75	SG/RG3.6T12H
100 - 75	150	75	100	SG/RG4.6T12H
150 - 100	200	100	150	SG/RG6.6T12H
150 - 75	200	75	150	SG/RG6.6T12H
200 - 150	200	150	200	SG/RG8.6T16H
200 - 100	200	100	200	SG/RG8.6T16H
300 - 200	300	200	300	SG/RG12.6T16H
300 - 150	300	150	300	SG/RG12.6T16H
400 - 300	400	300	400	SG/RG16.6T16H
600 - 400	500	400	600	SG/RG24.6T20H

齒駁片 Cable Tray Connector



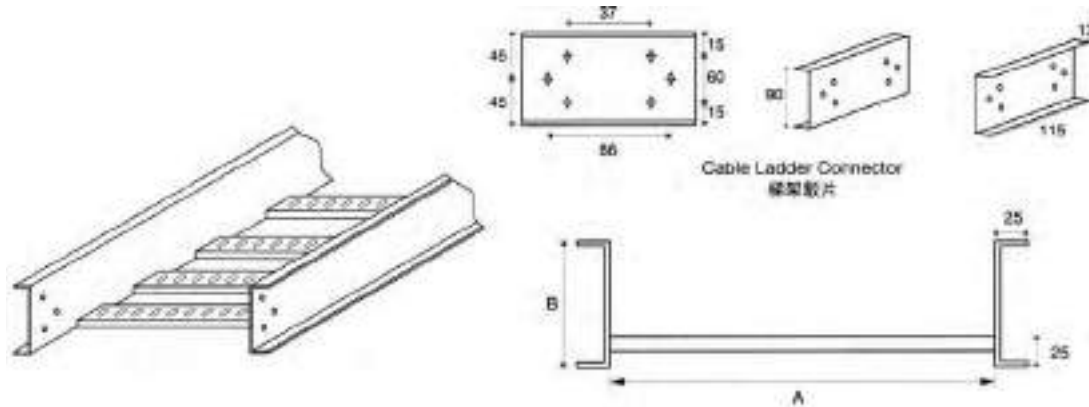
Cable Tray size 電纜托盤 (mm)	Dimension 外型尺寸 (mm)	Model number 型號			
	A	Galvanised Steel 鍍鋅鋼	Hot-dipped Galvanised 熱浸鋅	Stainless Steel SS304 不銹鋼 SS304	Stainless Steel 316 不銹鋼 SS316
50	40	SGC2	SGC2H	SGC2S	SGC2X
75	65	SGC3	SGC3H	SGC3S	SGC3X
100	90	SGC4	SGC4H	SGC4S	SGC4X
150	140	SGC6	SGC6H	SGC6S	SGC6X
200	190	SGC8	SGC8H	SGC8S	SGC8X
250	240	SGC10	SGC10H	SGC10S	SGC10X
300	290	SGC12	SGC12H	SGC12S	SGC12X
400	390	SGC16	SGC16H	SGC16S	SGC16X
600	590	SGC24	SGC24H	SGC24S	SGC24X
900	890	SGC36	SGC36H	SGC36S	SGC36X

■ Standard:	BSEN 10149, BS1449, IEC 61537, BSEN 10139	■ 規格標準:	BSEN 10149, BS1449, IEC 61537, BSEN 10139
■ Rung Spacing:	300mm	■ 梯格距離:	300mm
■ Material:	Galvanised steel sheet Mild steel Stainless Steel Sheet SS304 (S), SS316 (X)	■ 原料:	鍍鋅鋼板 鋼板 不銹鋼板 SS304 (S), SS316 (X)
■ Length:	Standard length of 2.44m, other lengths available on request	■ 長度:	標準 2.44m 其他長度可按照客需要
■ Thickness:	2mm Other thicknesses under 2mm can be produced as required	■ 厚度:	2mm 其他2mm 以下厚度可按 要求製成
■ Finishes:	Hot dip galvanized to BS 729, ISO 1460, 1461 (H) Coloured Epoxy powder coating (P)	■ 表面處理:	熱浸鋅符合英國標準 BS 729, ISO 1460, 1461 (H) 顏色聚脂油粉 (P)

* Fittings and accessories meet the same standard and specifications as the ladders

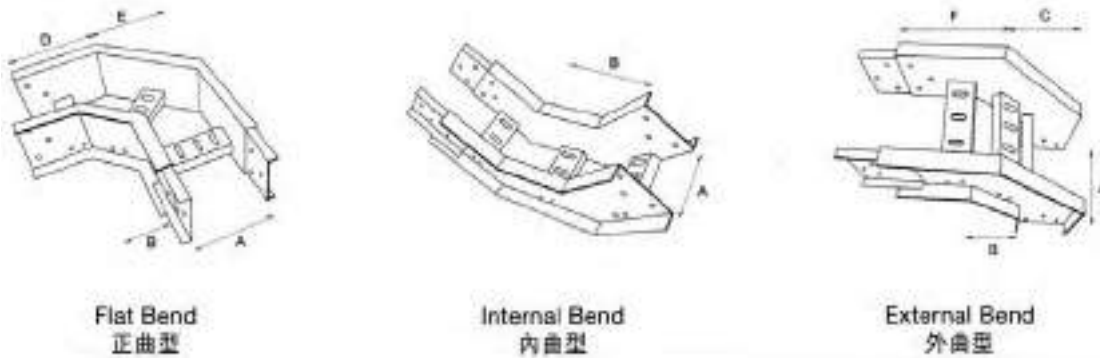
* 配件的規格及標準完全遵照及配合梯架而製成

電纜梯架 Cable Ladder



Cable Ladder Size 電纜梯架尺寸 (mm)	Dimension 外型尺寸 (mm)		Model Number 型號
	A	B	
150	150	100	CL150T20H
300	300	100	CL300T20H
450	450	100	CL450T20H
600	600	100	CL600T20H
900	900	100	CL900T20H
1000	1000	100	CL1000T20H

90° 斜角曲 90° Mitre bend



Suitable for Ladder size 適用電纜梯架尺寸 (mm)	Dimension 外型尺寸 (mm)						Model Number 型號		
	A	B	C	D	E	F	Flat Bend 正曲型	Internal Bend 內曲型	External Bend 外曲型
150	150	78	136	172	164	150	CL150.1T20H	CL150.2T20H	CL150.4BT20H
300	300	78	136	234	252	150	CL300.1T20H	CL300.2T20H	CL300.4BT20H
450	450	78	136	296	340	150	CL450.1T20H	CL450.2T20H	CL450.4BT20H
600	600	78	136	359	427	150	CL600.1T20H	CL600.2T20H	CL600.4BT20H
900	900	78	136	483	603	150	CL900.1T20H	CL900.2T20H	CL900.4BT20H
1000	1000	78	136	524	662	150	CL1000.1T20H	CL1000.2T20H	CL1000.4BT20H

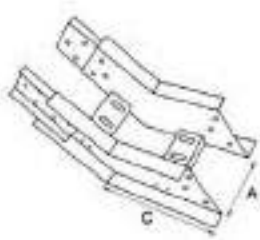
* Other sizes can be custom made

* 其他尺寸可按客戶要求生產

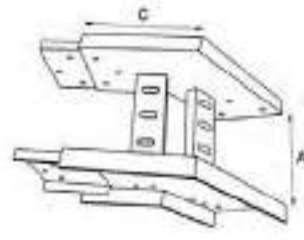
135° 斜角曲 135° Mitre Bend



Flat Bend
正曲型



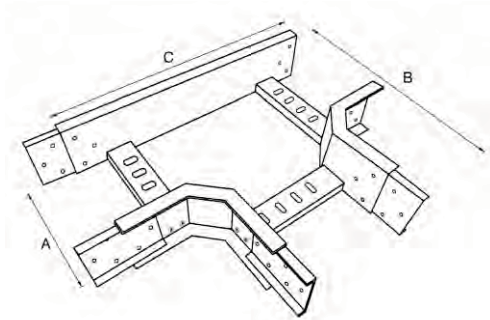
Internal Bend
內曲型



External Bend
外曲型

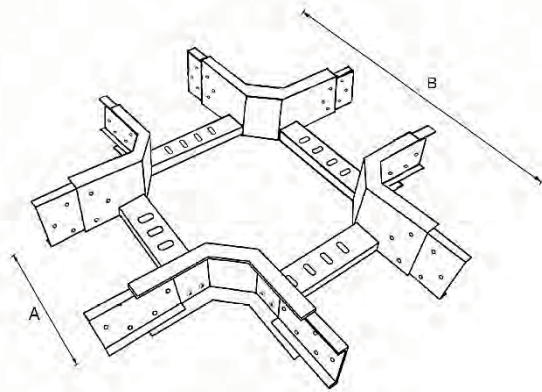
Suitable for Ladder size 適用電纜梯架尺寸 (mm)	Dimension 外型尺寸 (mm)			Model number 型號		
	A	B	C	Flat Bend 正曲型	Internal Bend 內曲型	External Bend 外曲型
150	150	172	150	CL150.11AT20H	CL150.11BT20H	CL150.11CT20H
300	300	234	150	CL300.11AT20H	CL300.11BT20H	CL300.11CT20H
450	450	296	150	CL450.11AT20H	CL450.11BT20H	CL450.11CT20H
600	600	359	150	CL600.11AT20H	CL600.11BT20H	CL600.11CT20H
900	900	483	150	CL900.11AT20H	CL900.11BT20H	CL900.11CT20H
1000	1000	524	150	CL1000.11AT20H	CL1000.11BT20H	CL1000.11CT20H

斜角三叉 Mitre Tee



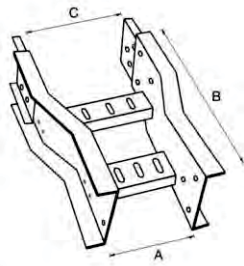
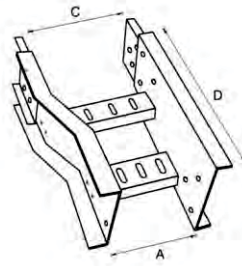
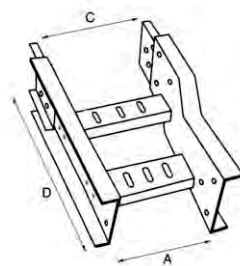
Suitable for Ladder size 適用電纜梯架尺寸 (mm)	Dimension 外型尺寸 (mm)			Model number 型號
	A	B	C	
150	150	310	470	CL150.3T20H
300	300	460	620	CL300.3T20H
450	450	610	770	CL450.3T20H
600	600	760	920	CL600.3T20H
900	900	1060	1220	CL900.3T20H
1000	1000	1160	1320	CL1000.3T20H

十字曲 Mitre Cross



Suitable for Ladder size 適用電綫梯架尺寸 (mm)	Dimension 外型尺寸 (mm)		Model Number 型號
	A	B	
150	150	470	CL150.5T20H
300	300	620	CL300.5T20H
450	450	770	CL450.5T20H
600	600	920	CL600.5T20H
900	900	1220	CL900.5T20H
1000	1000	1320	CL1000.5T20H

刁士 Reducer

Equal Reducer
正刁士Left Reducer
左刁士Right Reducer
右刁士

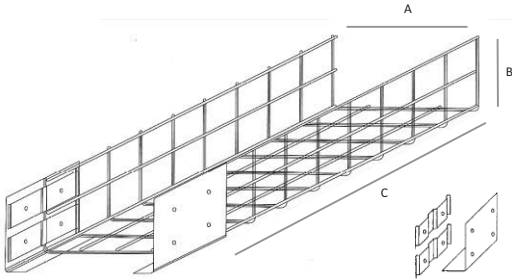
Suitable for Ladder size 適用電綫梯架尺寸 (mm)	Dimension 外型尺寸 (mm)				Model Number 型號
	A	B	C	D	
300 - 150	150	295	300	370	CL300.6T20H
450 - 300	300	295	450	370	CL450.6T20H
600 - 450	450	295	600	370	CL600.6T20H
900 - 600	600	370	900	520	CL900.6T20H
1200 - 900	900	370	1200	520	CL1200.6T20H

<p>■ Material:</p> <p>50mm x 50mm Mild steel wire grid</p> <p>Stainless Steel wire Grid SS304 (S), SS316 (X)</p>	<p>■ 原料:</p> <p>50mm x 50mm 鋼枝網</p> <p>不銹鋼網 SS304 (S), SS316 (X)</p>
<p>■ Length:</p> <p>2.12m</p> <p>Other lengths can be made to order</p>	<p>■ 長度:</p> <p>標準 2.12m</p> <p>其他長度可按照客需要</p>
<p>■ Height:</p> <p>50mm, 100mm</p> <p>Other heights can be made to order</p>	<p>■ 高度:</p> <p>50mm, 100mm</p> <p>其他高度可按要求製成</p>
<p>■ Thickness:</p> <p>4mm diameter rods</p> <p>Other thicknesses can be produced as required</p>	<p>■ 厚度:</p> <p>4mm直徑圓枝</p> <p>其他厚度可按要求製成</p>
<p>■ Finishes:</p> <p>Electro Zinc Plated to BS7371 Part 1 : 1991</p> <p>Hot-dipped Galvanised (H) to BS 729, ISO 1460, 1461</p> <p>Epoxy Powder Color Coating (P)</p>	<p>■ 表面處理:</p> <p>冷電度鋅符合規格 BS7371 Part 1 : 1991</p> <p>熱浸鋅(H)符合規格 BS729 · ISO 1460, 1461</p> <p>顏色聚脂油粉(P)</p>

* Fittings and accessories meet the same standard and specifications as the baskets

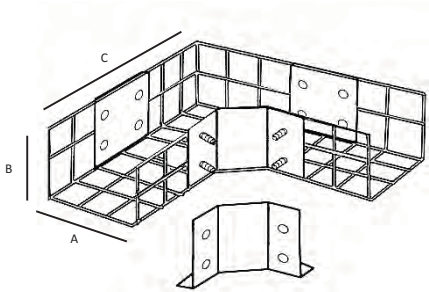
* 配件的規格及標準完全遵照及配合電綫籃而製成

電綫籃 Cable Basket



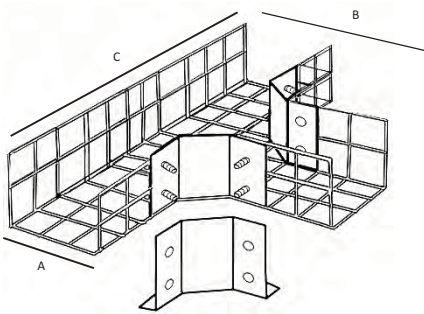
Cable Basket Size 電綫籃尺寸 (mm)	Dimension 外型尺寸 (mm)			Model Number 型號
	A	B	C	
100	100	100	2122	CAB4X4
150	150	100	2122	CAB6X4
300	300	100	2122	CAB12X4
450	450	100	2122	CAB18X4
600	600	100	2122	CAB24X4
900	900	100	2122	CAB36X4

90° 斜角籃曲 90° Mitre bend



Suitable for basket size 適用電綫籃尺寸 (mm)	Dimension 外型尺寸 (mm)			Model Number 型號
	A	B	C	
100	100	100	200	CAB4X4.1
150	150	100	250	CAB6X4.1
300	300	100	400	CAB12X4.1
450	450	100	550	CAB18X4.1
600	600	100	700	CAB24X4.1
900	900	100	1000	CAB36X4.1

斜角三叉 Mitre Tee



Suitable for basket size 適用電綫籃尺寸 (mm)	Dimension 外型尺寸 (mm)			Model Number 型號
	A	B	C	
100	100	200	300	CAB4X4.3
150	150	250	350	CAB6X4.3
300	300	400	500	CAB12X4.3
450	450	550	650	CAB18X4.3
600	600	700	800	CAB24X4.3
900	900	1000	1100	CAB36X4.3

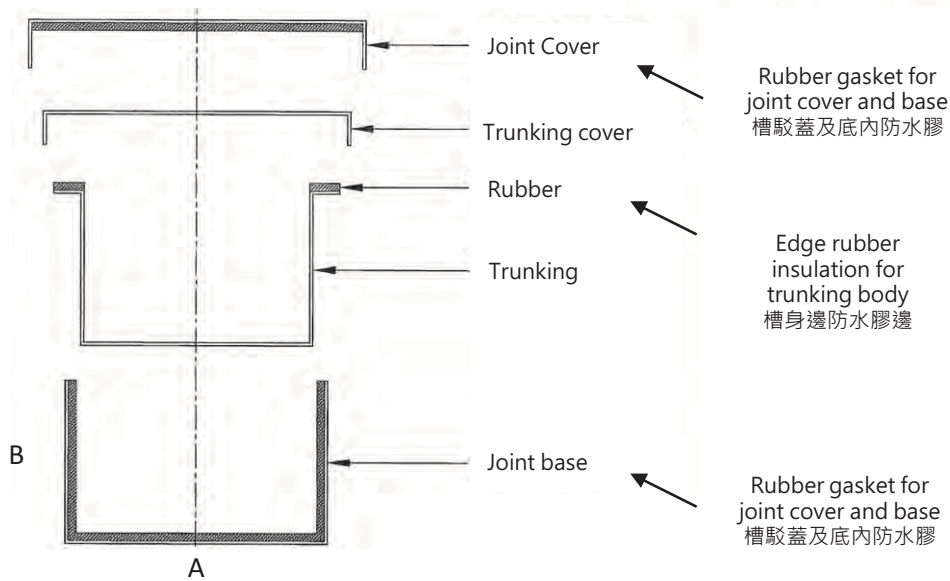
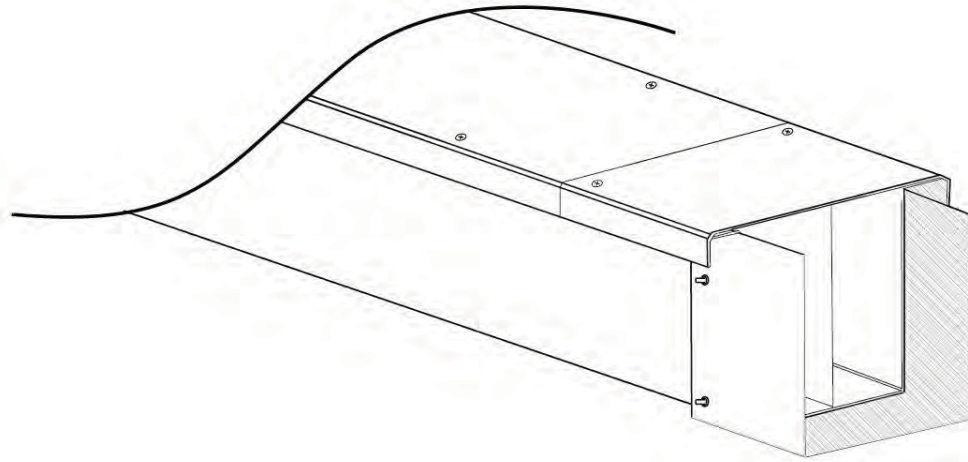
* Other sizes can be custom made

* 其他尺寸可按客戶要求生產

<p>■ Standard:</p>	<p>BS 4678 Part 1 Class 2 & 3 Corrosion Protection, BS1449, BSEN 50085-1,2-1, IEC 61084-1, BSEN 10139, EN 10143, IPX4 according to IEC 60529:2001, BSEN 10149</p>	<p>■ 規格標準:</p>	<p>BS 4678 Part 1 Class 2 & 3 抗蝕保護, BS1449, BSEN 50085-1,2-1, IEC 61084-1, BSEN 10139, EN 10143, IPX4 按照 IEC 60529:2001, BSEN 10149</p>
<p>■ Trunking Cover type:</p>	<p>Screw fix with rubber gasket between trunking and cover</p>	<p>■ 槽蓋款式:</p>	<p>螺絲蓋, 槽邊有防水膠邊</p>
<p>■ Material:</p>	<p>Galvanised steel sheet Mild steel Stainless Steel Sheet SS304 (S), SS316 (X)</p>	<p>■ 原料:</p>	<p>鍍鋅鋼板 鋼板 不銹鋼板 SS304 (S), SS316 (X)</p>
<p>■ Length:</p>	<p>Standard length of 2.44m, other lengths available on request</p>	<p>■ 長度:</p>	<p>標準 2.44m, 其他長度可安照客需要</p>
<p>■ Thickness:</p>	<p>Comply to BS 4678 Other thicknesses can be made (0.9mm – 2.0mm)</p>	<p>■ 厚度:</p>	<p>符合BS 4678要求 其他厚度由0.9mm - 2.0mm 可按要求生產</p>
<p>■ Finishes:</p>	<p>Hot dip galvanized to BS 729, ISO 1460, 1461 (H) Coloured Epoxy powder coating (P)</p>	<p>■ 表面處理:</p>	<p>熱浸鋅符合英國標準 BS 729, ISO 1460, 1461 (H) 顏色聚脂油粉 (P)</p>
<p>■ Separate Compartments:</p>	<p>2 compartment (D), or multi compartment (T) as requested</p>	<p>■ 槽內間格:</p>	<p>可按照客人的要求製成二倉式(D), 多倉式(T)</p>

* Fittings and accessories meet the same standard and specifications as the trunkings

* 配件的規格及標準完全遵照及配合電綫槽而製成



Cable trunking size 槽尺寸 (mm)	Dimension 外型尺寸 (mm)		Model Number 型號	
	A	B	Waterproof Cable Trunking 防水槽	Multi-Compartment Waterproof Cable Trunking 分格式防水槽
75 x 50	75	50	WT3X2T12	WT3X2T12D
75 x 75	75	75	WT3X3T12	WT3X3T12D
100 x 75	100	75	WT4X3T12	WT4X3T12D
100 x 100	100	100	WT4X4T14	WT4X4T14D
150 x 100	150	100	WT6X4T14	WT6X4T14D
150 x 150	150	150	WT6X6T16	WT6X6T16D
200 x 150	200	150	WT8X6T16	WT8X6T16D
200 x 200	200	200	WT8X8T16	WT8X8T16D

* Other sizes can be custom made

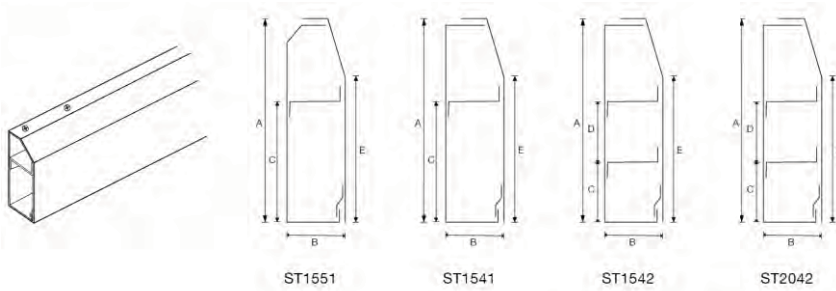
* 其他尺寸可按客戶要求生產

■ Standard:	BS 4678 Part 1 Class 2 & 3 Corrosion Protection, BS1449, BSEN 50085-1,2-1, IEC 61084-1, BSEN 10139, EN 10143, BSEN 10149	■ 規格標準:	BS 4678 Part 1 Class 2 & 3 抗蝕保護, BS1449, BSEN 50085-1,2-1, IEC 61084-1, BSEN 10139, EN 10143, BSEN 10149
■ Trunking Cover type:	Screw Fix	■ 槽蓋款式:	螺絲蓋
■ Material:	Galvanised steel sheet Mild steel Stainless Steel Sheet SS304 (S), SS316 (X)	■ 原料:	鍍鋅鋼板 鋼板 不銹鋼板 SS304 (S), SS316 (X)
■ Length:	Standard length of 2.44m, other lengths available on request	■ 長度:	標準 2.44m, 其他長度可按照客需要
■ Thickness:	Comply to BS 4678 Other thicknesses can be made (0.9mm – 2.0mm)	■ 厚度:	符合BS 4678要求 其他厚度由0.9mm - 2.0mm 可按要求生產
■ Finishes:	Hot dip galvanized to BS 729, ISO 1460, 1461 (H) Coloured Epoxy powder coating (P)	■ 表面處理:	熱浸鋅符合英國標準 BS 729, ISO 1460, 1461 (H) 顏色聚脂油粉 (P)
■ Separate Compartments:	2 compartment (D), or multi compartment (T) as requested	■ 槽內間格:	可按照客人的要求製成二倉式(D), 多倉式(T)

* Fittings and accessories meet the same standard and specifications as the trunkings

* 配件的規格及標準完全遵照及配合槽而製成

牆邊綫槽 Skirting Trunking



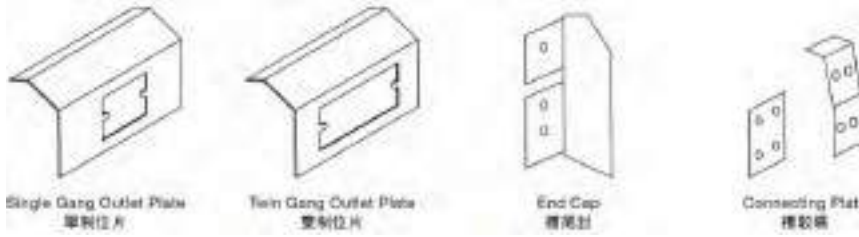
Model Number 型號	Dimension 外型尺寸 (mm)				
	A	B	C	D	E
ST1551	150	50	100	-	113
ST1541	150	40	100	-	113
ST1542	150	40	75	37.5	125.5
ST2042	200	40	100	50	163

90° 曲 90° Bend



Suitable for 適用於	Model Number 型號	
	Internal Opening 內開蓋型	External opening 外開蓋型
ST1551	IB1551	EB1551
ST1541	IB1541	EB1541
ST1542	IB1542	EB1542
ST2042	IB2042	EB2042

配件 Accessories

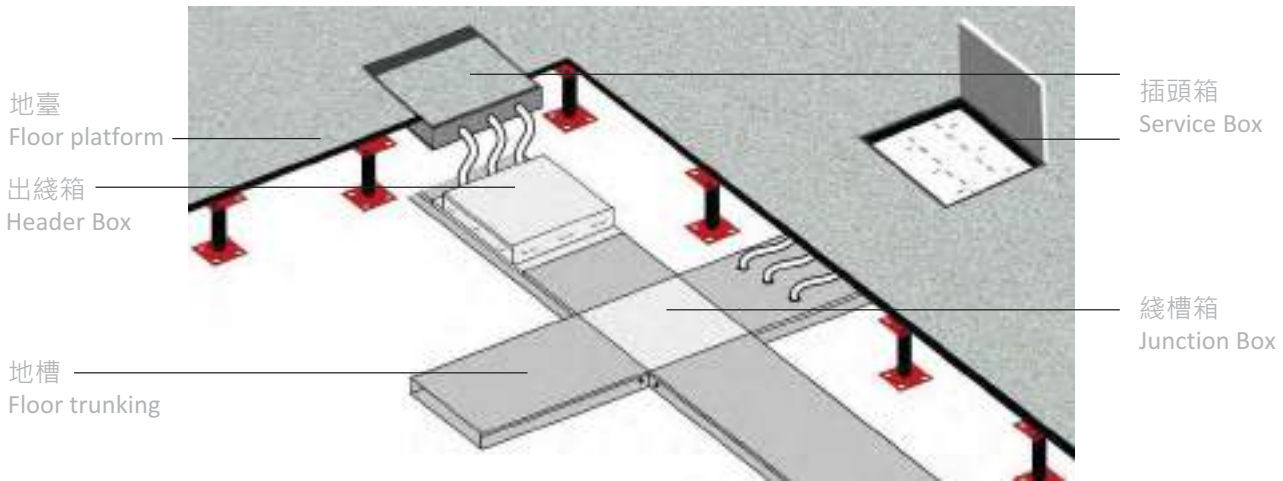


Suitable for 適用於	Model Number 型號			
	Single Gang Outlet Plate 單制位片	Twin Gang Outlet Plate 雙制位片	End Cap 槽尾封	Connecting Plate 槽駁碼
ST1551	CCS1551	CCD1551	FEC1551	CP1551
ST1541	CCS1541	CCD1541	FEC1541	CP1541
ST1542	CCS1542	CCD1542	FEC1542	CP1542
ST2042	CCS2042	CCD2042	FEC2042	CP2042

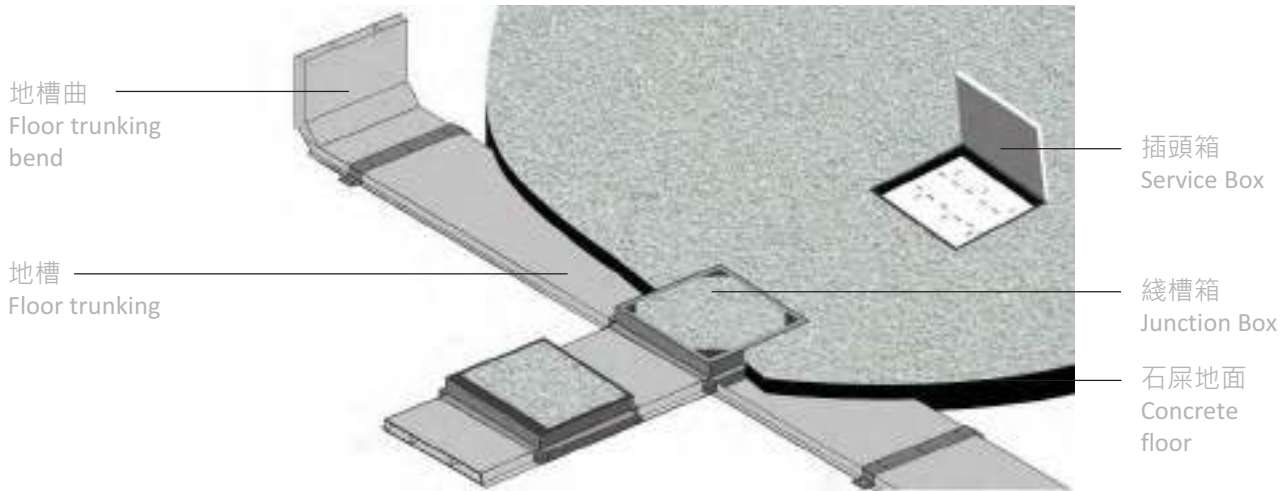
* Other sizes can be custom made

* 其他尺寸可按客戶要求生產

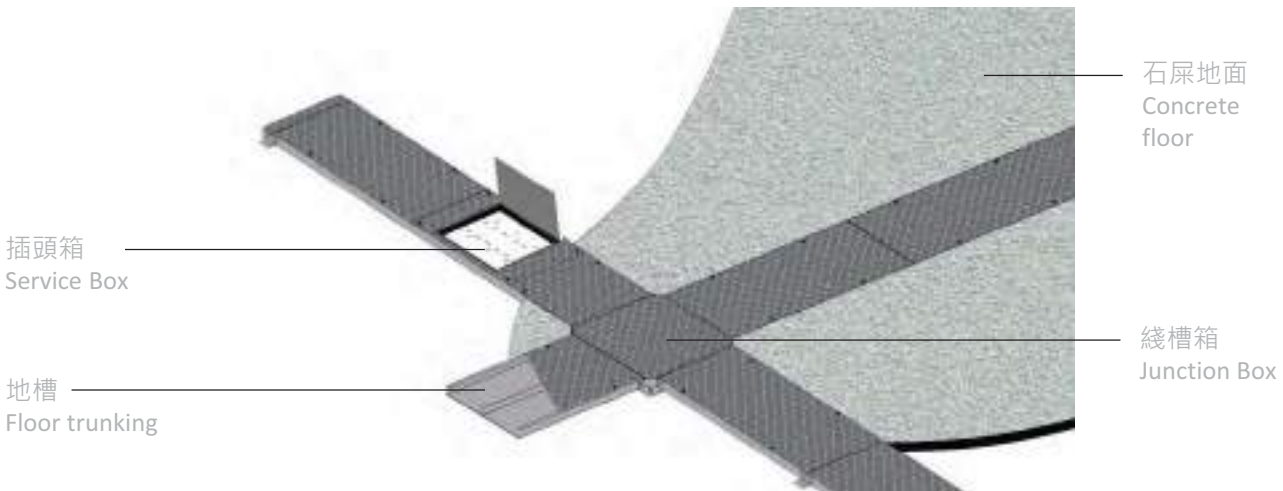
地臺綫槽 Raised Floor Trunking



藏地綫槽 Underfloor Trunking



平地綫槽 Flushfloor Trunking

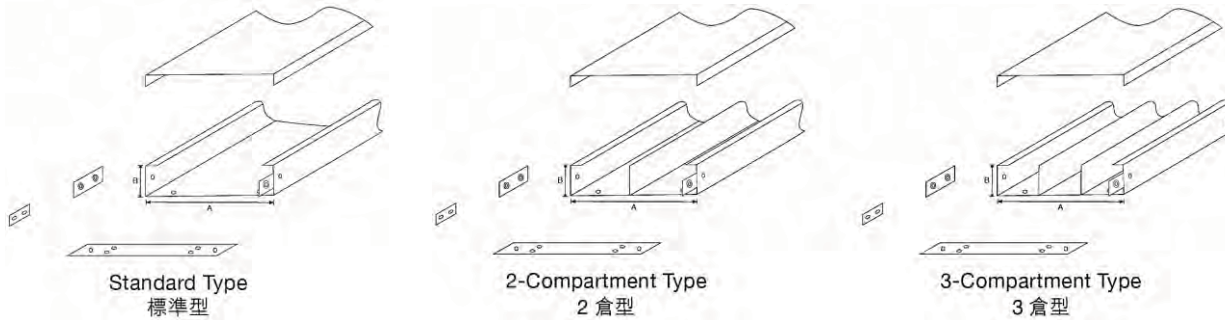


■ Standard:	BS 4678 Part 1 Class 2 & 3 Corrosion Protection, BS1449, BSEN 50085-1, IEC 61084-1, BSEN 10139, EN 10143, BSEN 10149	■ 規格標準:	BS 4678 Part 1 Class 2 & 3 抗蝕保護, BS1449, BSEN 50085-1, IEC 61084-1, BSEN 10139, EN 10143, BSEN 10149
■ Trunking Cover type:	Centre Caption (QT) Screw Fix (ST) Clip Fix (CT)	■ 槽蓋款式:	銅鈕蓋 / 肚池 (QT) 螺絲蓋 (ST) 彈夾蓋 (CT)
■ Material:	Galvanised steel sheet Mild steel Stainless Steel Sheet SS304 (S), SS316 (X)	■ 原料:	鍍鋅鋼板 鋼板 不銹鋼板 SS304 (S), SS316 (X)
■ Length:	Standard length of 2.44m, other lengths available on request	■ 長度:	標準 2.44m, 其他長度可按照客需要
■ Thickness:	Comply to BS 4678 Other thicknesses can be made (0.9mm – 2.0mm)	■ 厚度:	符合BS 4678要求 其他厚度由0.9mm - 2.0mm 可按要求生產
■ Finishes:	Hot dip galvanized to BS 729, ISO 1460, 1461 (H) Coloured Epoxy powder coating (P)	■ 表面處理:	熱浸鋅符合英國標準 BS 729, ISO 1460, 1461 (H) 顏色聚脂油粉 (P)
■ Separate Compartments:	2 compartment (D), or multi compartment (T) as requested	■ 槽內間格:	可按照客人的要求製成二倉式(D), 多倉式(T)

* Fittings and accessories meet the same standard and specifications as the trunkings

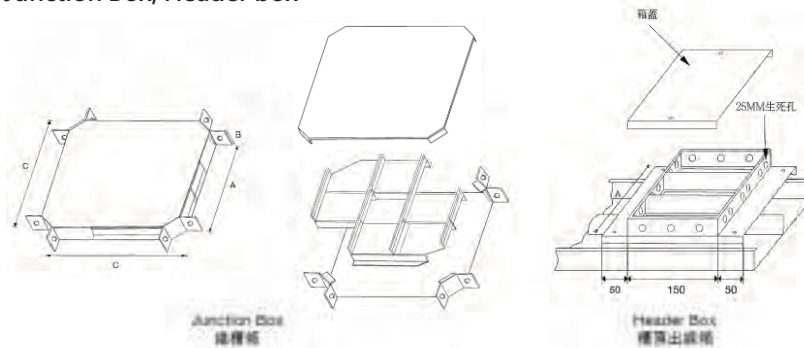
* 配件的規格及標準完全遵照及配合槽而製成

地臺綫槽 Raised Floor Trunking



Raised floor trunking size 地臺槽尺寸 (mm)	Dimension 外型尺寸 (mm)		Model Number 型號		
	A	B	Standard Type 標準型	2-C Type 2倉型	3-C Type 3倉型
150 x 50	150	50	RF5015	RFD5015	RFT5015
200 x 50	200	50	RF5020	RFD5020	RFT5020
250 x 50	250	50	RF5025	RFD5025	RFT5025
300 x 50	300	50	RF5030	RFD5030	RFT5030
150 x 75	150	75	RF7515	RFD7515	RFT7515
200 x 75	200	75	RF7520	RFD7520	RFT7520
250 x 75	250	75	RF7525	RFD7525	RFT7525
300 x 75	300	75	RF7530	RFD7530	RFT7530

綫槽箱, 出綫箱 Junction Box, Header box

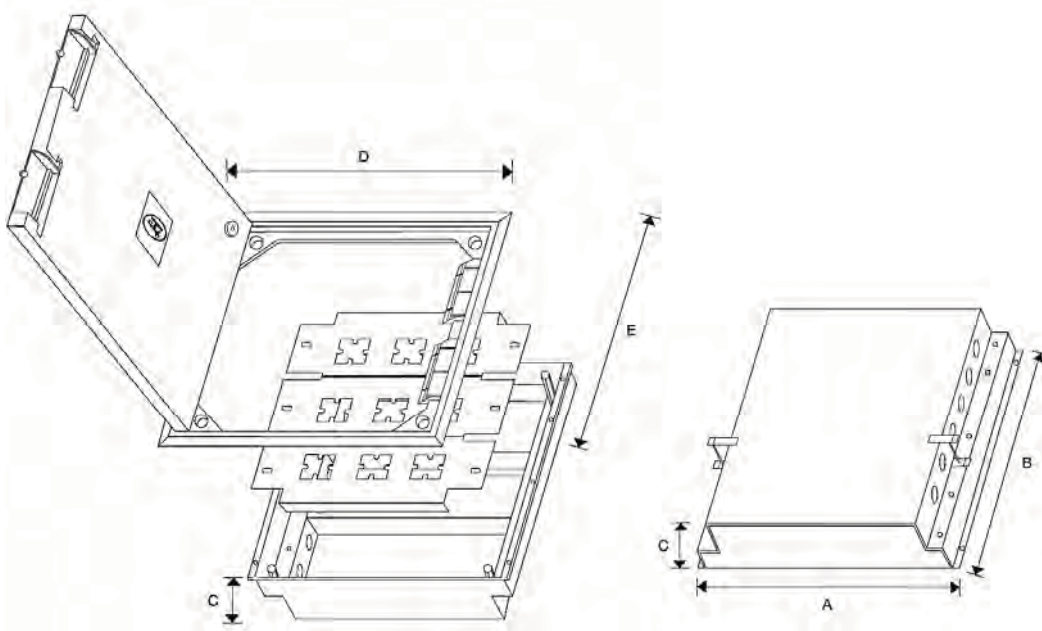


Raised floor trunking size 地臺槽尺寸 (mm)	Dimension 外型尺寸 (mm)			Model number 型號			
	A	B	C	Junction Box 綫槽箱			Header Box 出綫箱
				Standard Type 標準型	2-C Type 2倉型	3-C Type 3倉型	
150 x 50	150	50	250	RJB5015	RJBD5015	RJBT5015	BXHD15
200 x 50	200	50	300	RJB5020	RJBD5020	RJBT5020	BXHD20
250 x 50	250	50	350	RJB5025	RJBD5025	RJBT5025	BXHD25
300 x 50	300	50	400	RJB5030	RJBD5030	RJBT5030	BXHD30
150 x 75	150	75	250	RJB7515	RJBD7515	RJBT7515	BXHD15
200 x 75	200	75	300	RJB7520	RJBD7520	RJBT7520	BXHD20
250 x 75	250	75	350	RJB7525	RJBD7525	RJBT7525	BXHD25
300 x 75	300	75	400	RJB7530	RJBD7530	RJBT7530	BXHD30

* Other sizes can be custom made

* 其他尺寸可按客戶要求生產

地臺插頭箱 Raised Floor Trunking Service box

Service Box
插頭箱

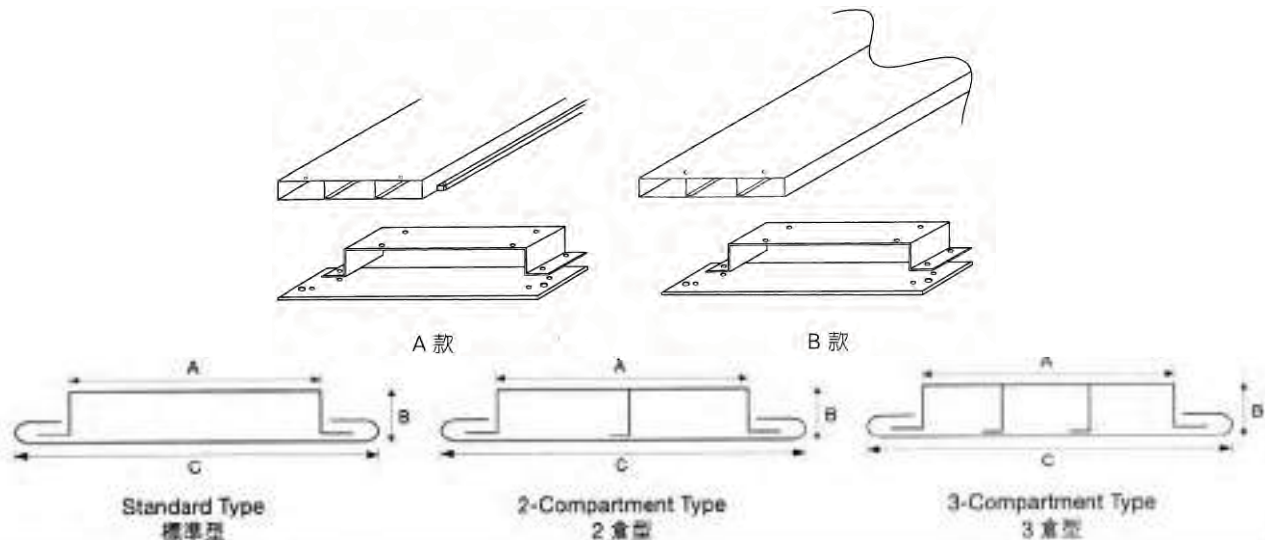
Socket number 可配蘇位	Dimension 外型尺寸 (mm)					Model Number 型號
	A	B	C	D	E	
6	260	270	95	280	280	SBX2525R
9	330	330	95	355	355	SBX3025R

<p>■ Standard:</p>	<p>BS 4678 Part 2 Class 2 & 3 Protection against corrosion, BS1449, BSEN 50085-1, IEC 61084-1,2-2, BSEN 10139, EN 10143, IPX4 according to IEC 60529, BSEN 10149</p>	<p>■ 規格標準:</p>	<p>BS 4678 Part 2 Class 2 & 3 抗蝕保護, BS1449, BSEN 50085-1, IEC 61084-1,2-2, BSEN 10139, EN 10143, IPX4 按照 IEC 60529, BSEN 10149</p>
<p>■ Trunking Cover type:</p>	<p>Completely sealed design, can be connected together to form a distribution network under the floor</p>	<p>■ 槽蓋款式:</p>	<p>全密封式設計, 地槽潛藏在地下互相接駁</p>
<p>■ Material:</p>	<p>Galvanised steel sheet Mild steel Stainless Steel Sheet SS304 (S), SS316 (X)</p>	<p>■ 原料:</p>	<p>鍍鋅鋼板 鋼板 不銹鋼板 SS304 (S), SS316 (X)</p>
<p>■ Length:</p>	<p>Standard length of 2.44m, other lengths available on request</p>	<p>■ 長度:</p>	<p>標準 2.44m, 其他長度可按照客需要</p>
<p>■ Thickness:</p>	<p>Comply to HK government projects Other thicknesses can be made (0.9mm – 2.0mm)</p>	<p>■ 厚度:</p>	<p>符合香港政府相關部門要求 其他厚度由0.9mm - 2.0mm 可按要求生產</p>
<p>■ Finishes:</p>	<p>Hot dip galvanized to BS 729, ISO 1460, 1461 (H) Coloured Epoxy powder coating (P)</p>	<p>■ 表面處理:</p>	<p>熱浸鋅符合英國標準 BS 729, ISO 1460, 1461 (H) 顏色聚脂油粉 (P)</p>
<p>■ Separate Compartments:</p>	<p>2 compartment (D), or multi compartment (T) as requested</p>	<p>■ 槽內間格:</p>	<p>可按照客人的要求製成二倉式(D), 多倉式(T)</p>

* Fittings and accessories meet the same standard and specifications as the trunkings

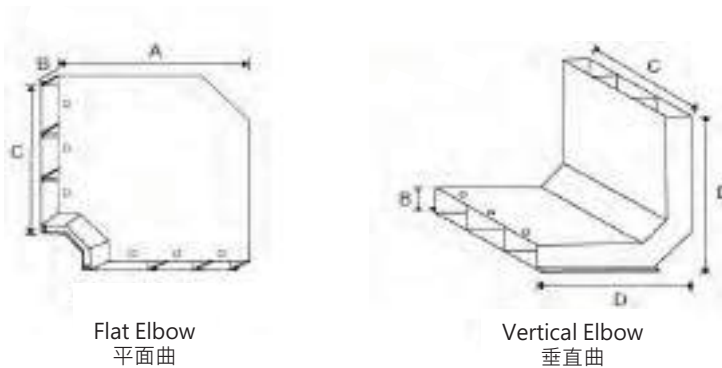
* 配件的規格及標準完全遵照及配合槽而製成

藏地綫槽 Underfloor Trunking



Underfloor Trunking Size 藏地槽尺寸	Dimension 外型尺寸 (mm)			Model Number 型號		
	A	B	C	Standard Type 標準型	2-C Type 2倉型	3-C Type 3倉型
225 x 25	225	25	257	UF2525	UFD2525	UFT2525
225 x 32	225	32	257	UF2532	UFD2532	UFT2532
300 x 25	300	25	332	UF3025	UFD3025	UFT3025
300 x 32	300	32	332	UF3032	UFD3032	UFT3032

槽曲 Bend

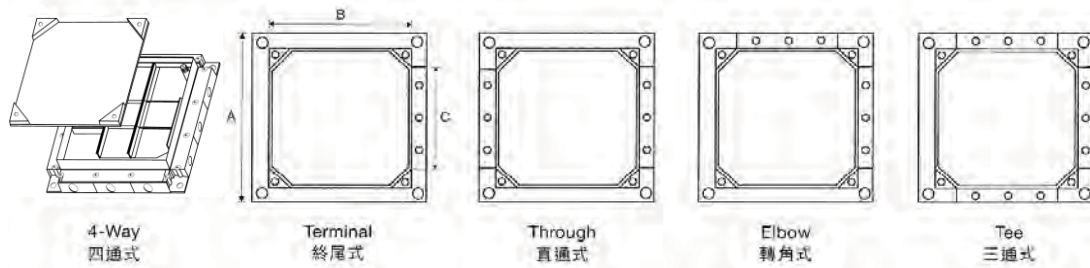


Underfloor Trunking Size 藏地槽尺寸	Dimension 外型尺寸 (mm)				Model Number 型號	
	A	B	C	D	Flat Elbow 平面曲	Vertical Elbow 垂直曲
225 x 25	300	25	225	300	UBH2525	UBV2525
225 x 32	300	32	225	300	UBH2532	UBV2532
300 x 25	375	25	300	375	UBH3025	UBV3025
300 x 32	375	32	300	375	UBH3032	UBV3032

* Other sizes can be custom made

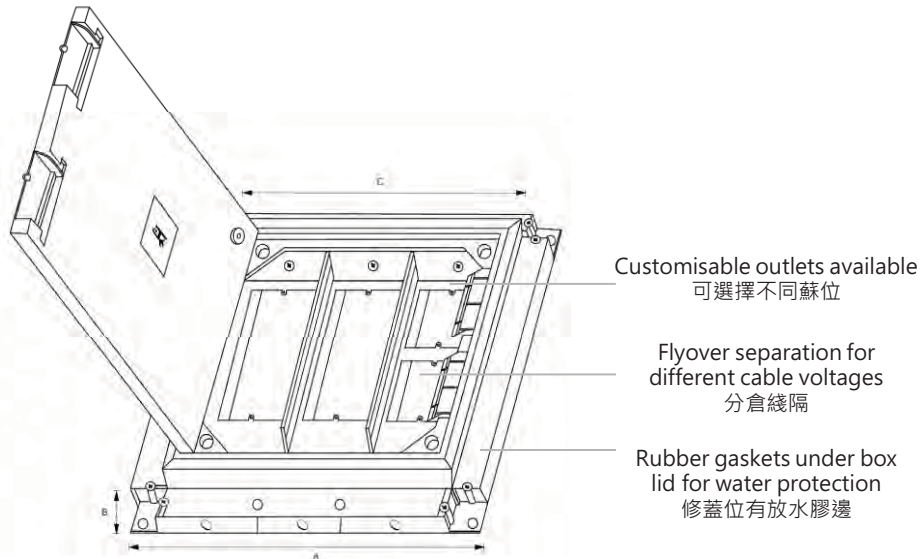
* 其他尺寸可按客戶要求生產

藏地槽箱 Underfloor Junction Box



Underfloor Trunking Size 藏地槽尺寸	Dimension 外型尺寸 (mm)			Model Number 型號				
	A	B	C	4-way 四通式	Terminal 終尾式	Through 直通式	Elbow 轉角式	Tee 三通式
225 x 25	320	280	230	4JB2525	SJB2525	TJB2525	LIB2525	3JB2525
225 x 32	320	280	230	4JB2532	SJB2532	TJB2532	LIB2532	3JB2532
300 x 25	395	355	305	4JB3025	SJB3025	TJB3025	LIB3025	3JB3025
300 x 32	395	355	305	4JB3032	SJB3032	TJB3032	LIB3032	3JB3032

藏地槽插頭箱 Underfloor Service Box



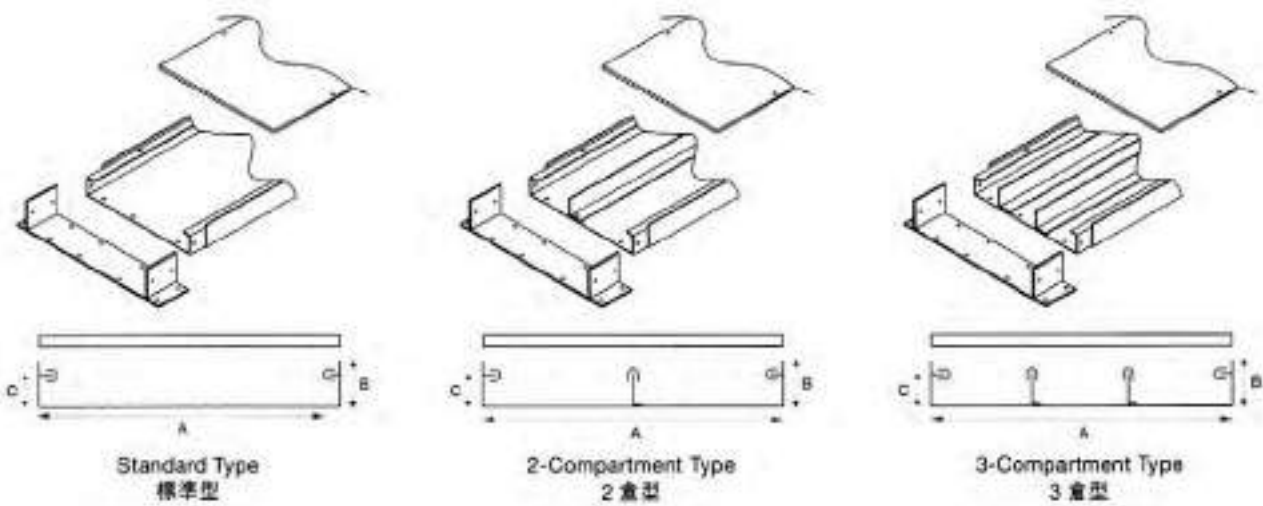
Underfloor Trunking Size 藏地槽尺寸	Socket number 可配蘇位	Dimension 外型尺寸 (mm)			Model Number 型號
		A	B	C	
225 x 25	6	320	60	280	SBX2525
225 x 32	6	320	67	280	SBX2532
300 x 25	9	395	60	355	SBX3025
300 x 32	9	395	67	355	SBX3032

■ Standard:	BS 4678 Part 2 Class 2 & 3 Protection against corrosion, BS1449, BSEN 50085-1, IEC 61084-1,2-2, BSEN 10139, EN 10143, BSEN 10149	■ 規格標準:	BS 4678 Part 2 Class 2 & 3 抗蝕保護, BS1449, BSEN 50085-1, IEC 61084-1,2-2, BSEN 10139, EN 10143, BSEN 10149
■ Trunking Cover type:	Screw fix, with gasket between trunking body and cover. Cover can be made from 3mm thick galvanised steel or hot dip galvanised chequered steel sheet	■ 槽蓋款式:	螺絲蓋·綫槽配備防水膠邊·槽蓋可選用3mm厚鍍鋅鋼板或熱浸鋅花鐵板
■ Material:	Galvanised steel sheet Mild steel Stainless Steel Sheet SS304 (S), SS316 (X)	■ 原料:	鍍鋅鋼板 鋼板 不銹鋼板 SS304 (S), SS316 (X)
■ Length:	Standard length of 2.44m, other lengths available on request	■ 長度:	標準 2.44m, 其他長度可按照客需要
■ Thickness:	Comply to HK government projects Other thicknesses can be made (0.9mm – 2.0mm)	■ 厚度:	符合香港政府相關部門要求 其他厚度由0.9mm - 2.0mm 可按要求生產
■ Finishes:	Hot dip galvanized to BS 729, ISO 1460, 1461 (H) Coloured Epoxy powder coating (P)	■ 表面處理:	熱浸鋅符合英國標準 BS 729, ISO 1460, 1461 (H) 顏色聚脂油粉 (P)
■ Separate Compartments:	2 compartment (D), or multi compartment (T) as requested	■ 槽內間格:	可按照客人的要求製成二倉式(D), 多倉式(T)

* Fittings and accessories meet the same standard and specifications as the trunkings

* 配件的規格及標準完全遵照及配合槽而製成

平地綫槽 Flushfloor Trunking

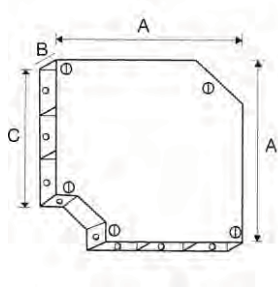
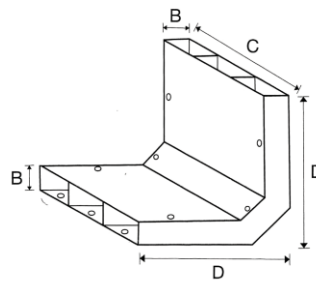


Flushfloor Trunking Size 平地槽尺寸	Dimension 外型尺寸 (mm)			Model Number 型號		
	A	B	C	Standard Type 標準型	2-C Type 2倉型	3-C Type 3倉型
150 x 50	150	50	47	FF5015	FFD5015	FFT5015
200 x 50	200	50	47	FF5020	FFD5020	FFT5020
250 x 50	250	50	47	FF5025	FFD5025	FFT5025
300 x 50	300	50	47	FF5030	FFD5030	FFT5030
150 x 75	150	75	72	FF7515	FFD7515	FFT7515
200 x 75	200	75	72	FF7520	FFD7520	FFT7520
250 x 75	250	75	72	FF7525	FFD7525	FFT7525
300 x 75	300	75	72	FF7530	FFD7530	FFT7530

* Other sizes can be custom made

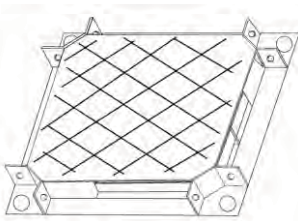
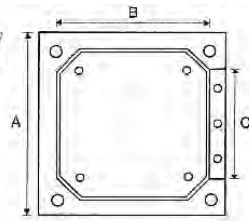
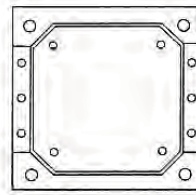
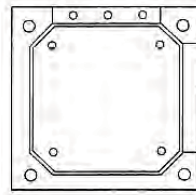
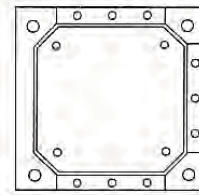
* 其他尺寸可按客戶要求生產

槽曲 Bend

Flat Elbow
平面曲Vertical Elbow
垂直曲

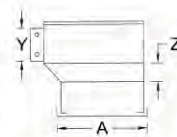
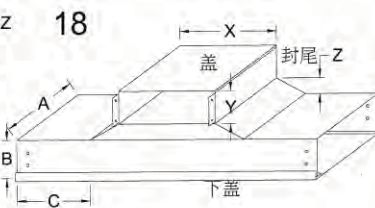
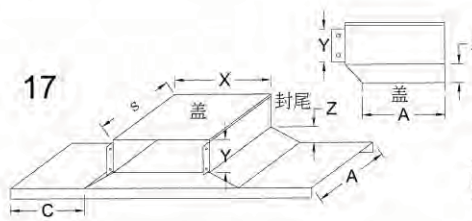
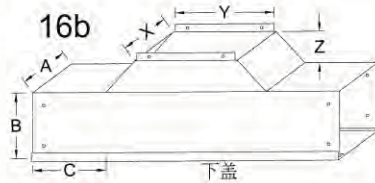
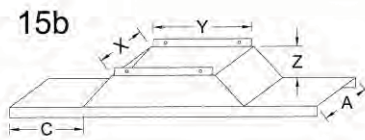
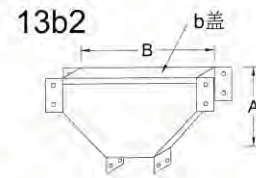
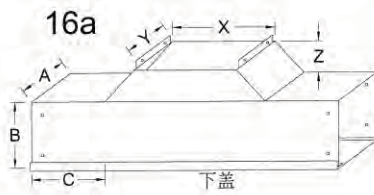
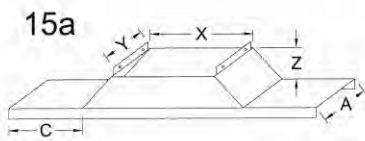
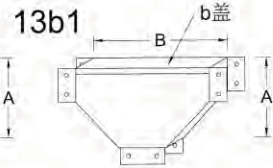
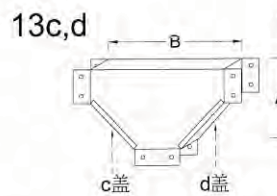
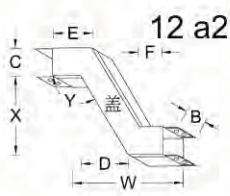
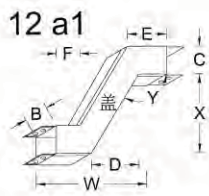
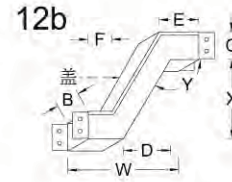
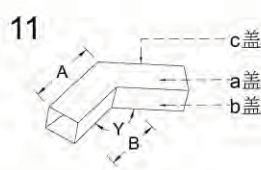
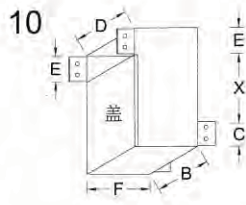
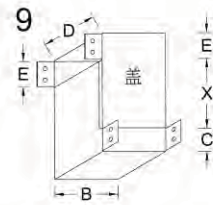
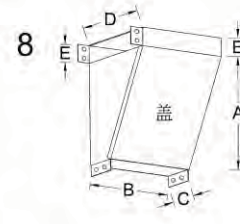
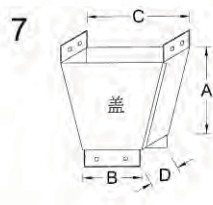
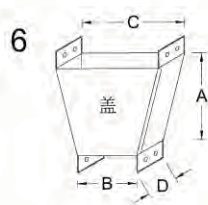
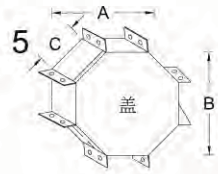
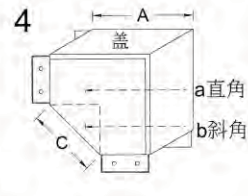
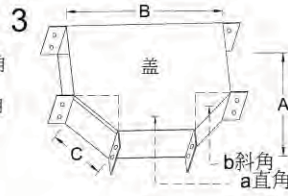
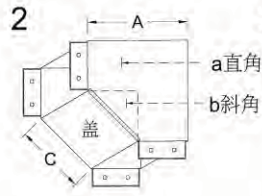
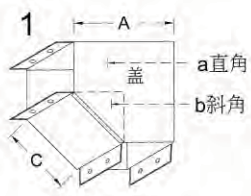
Flushfloor Trunking Size 平地槽尺寸	Dimension 外型尺寸 (mm)				Model Number 型號	
	A	B	C	D	Flat Elbow 平面曲	Vertical Elbow 垂直曲
150 x 50	275	50	150	275	FBH5015	FBV5015
200 x 50	325	50	200	325	FBH5020	FBV5020
250 x 50	375	50	250	375	FBH5025	FBV5025
300 x 50	425	50	300	425	FBH5030	FBV5030
150 x 75	275	75	150	275	FBH7515	FBV7515
200 x 75	325	75	200	325	FBH7520	FBV7520
250 x 75	375	75	250	375	FBH7525	FBV7525
300 x 75	425	75	300	425	FBH7530	FBV7530

平地槽箱 Flushfloor Junction Box

4-Way
四通式Terminal
終尾式Through
直通式Elbow
轉角式Tee
三通式

Flushfloor Trunking Size 平地槽尺寸	Dimension 外型尺寸 (mm)			Model Number 型號				
	A	B	C	4-way 4通式	Terminal 終尾式	Through 直通式	Elbow 轉角式	Tee 三通式
150 x 50	250	200	155	4FB5015	SFB5015	TFB5015	LFB5015	3FB5015
200 x 50	300	250	205	4FB5020	SFB5020	TFB5020	LFB5020	3FB5020
250 x 50	350	300	255	4FB5025	SFB5025	TFB5025	LFB5025	3FB5025
300 x 50	400	350	305	4FB5030	SFB5030	TFB5030	LFB5030	3FB5030
150 x 75	250	200	155	4FB7515	SFB7515	TFB7515	LFB7515	3FB7515
200 x 75	300	250	205	4FB7520	SFB7520	TFB7520	LFB7520	3FB7520
250 x 75	350	300	255	4FB7525	SFB7525	TFB7525	LFB7525	3FB7525
300 x 75	400	350	305	4FB7530	SFB7530	TFB7530	LFB7530	3FB7530

常用槽曲款式 Common Fitting Types



Trunking size is determined by multiplying the number of each single core P.V.C insulated cable sizes by the appropriate factor shown in table A. This amount is compared with the factor shown in table B. This factor should either equal or exceed the final factor used.

根據安全準則,電纜槽內的電纜容量,應以下列兩表作為參考,即電纜槽的數值應相等或高於所藏電纜的數值總和。

Table A – 電纜的數值表 Factor for Cable

Type of conductor 電纜種類	Conductor Cross - sectional area 電纜直徑 (mm)	Factor 數值
Solid 單芯電纜	1.5	7.1
	2.5	10.2
Stranded 多芯電纜	1.5	8.1
	2.5	11.4
	4	15.2
	6	22.9
	10	36.3

Table B – 電纜槽尺寸 Trunking Dimension

電纜槽尺寸 Trunking Dimension (mm)	數值 Factor
50 x 37.5	767
50 x 50	1037
75 x 50	1555
75 x 75	2371
100 x 50	2091
100 x 75	3189
100 x 100	4252
150 x 50	3189
150 x 75	4780
150 x 100	6392
150 x 150	9585



力雄金屬製品有限公司
LIK HUNG METAL MANUFACTURING LTD.



香港

營業部

葵涌 工業街 23-31號
美聯工業大廈 B座地下
電話: (852) 2743 7827
傳真: (852) 2785 7655
電郵地址: sale@likhung.com.hk

青山道分倉

九龍長沙灣
醫局西街1037號匯華大廈6字樓C座

中國大陸

工廠

東莞力雄五金電器塑膠製品有限公司
鳳崗鎮雁田管理區

www.likhung.hk

Hong Kong

Office

Ground Floor, Unit B,
Mai Luen Industrial Building,
23 - 31 Kung Yip St, Kwai Chung
Tel: (852) 2743 7827
Fax: (852) 2785 7655
Email Address: sale@likhung.com.hk

Warehouse

BLK. C, 6/F., Wui Wah Factory Building, 1037
Yee Kuk West Street, Cheung Sha Wan

Mainland

Factory

Wai Hing Road, Yantian District,
Fenggang Town, China

