



# FUSERBLOC

Fuse combination switches  
for industrial fuses up to 1250 A

Order at 訂貨熱線 :

香港批發/分銷 T (852) 2781 2855

澳門批發/分銷 T (853) 2822 2751

工程/商業項目 T (852) 2691 9166

E enquiry@supermoon.hk  
www.supermoon.hk

Fuse protection



## The solution for

- > Motor load break
- > Protection of industrial processes



## Strong points

- > Improved safety
- > High breaking capacity
- > Specific functionalities for simplified use

## A complete range

- > Centred or left side operation, rear connections, plug-in connections. Please consult us.

## Conformity to standards

- > IEC 60947-3
- > EN 60947-3
- > BS EN 60947-3
- > NBN EN 60947-3
- > IEC 60269-1
- > DIN EN 60269-1
- > NF EN 60269-1
- > IEC 60269-2
- > VDE 0636-1
- > VDE 0660-107
- > Standards UL: see FUSERBLOC UL



## Function

FUSERBLOC are manually operated multipolar fuse combination switches. They make and break on load and provide safety isolation and protection against overcurrent for any low voltage electrical circuit.

## Advantages

### Improved safety

- Complete isolation of the fuse with double breaking per pole (top and bottom of fuse).
- Positive break indication.
- IP2X protection with terminal shrouds front panel.

### High breaking capacity

Protection against overloads and short-circuits thanks to high breaking capacity fuses (100 kA rms).

### Specific functionalities for simplified use

- TEST position for testing control circuits without energising the power poles using U-type auxiliary contacts. In TEST position, the enclosure door can be opened.
- Mechanical or electronic fuse melting detection system (see DDMM or FMD page 270).

## Customised solutions



## Approvals and certifications<sup>(1)</sup>



LOVAG



(1) Product reference on request.

## What you need to know

- In addition to the FUSERBLOC rating, product selection also depends on the fuse characteristics and functional specifications, which need to be in accordance with the application. SOCOMEC FUSERBLOC are available for utilisation with NFC, DIN or BS88 fuses.



- FUSERBLOC switch fuse
- External front or side operation handle
- U type auxiliary contact (pré-break and switch position signalling)
- S and ST auxiliary equipment control and switch position signalling contacts
- Melted fuse mechanical detection and indication device (DDMM)
- Top and bottom terminal shrouds
- Integrated solid neutral link
- Electronic fuse monitoring device (FMD) detects worked fuse and provides signals to operator, PLC or supervision systems. Compatible with BS88, DIN and UL fuse types.
  - LED visual indication
  - Bi-stable relay for PLC: alarm, remote device tripping, etc.
  - TEST button: any time functional product verification
  - FUSERBLOC direct mounting, either back plate, DIN-rail or door mounting

fuser\_734\_a\_1\_x\_cat.ai

- Whether it is 3 pole + switched neutral or 3 pole + solid neutral, the FUSERBLOC 20 to 32 A with direct front operation and external operation is the best suited solution in compact design.



fuser\_705\_a\_1\_x\_cat

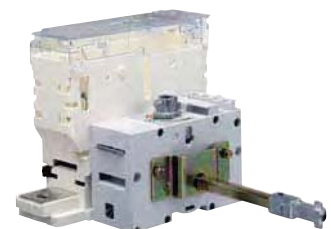
fuser\_706\_a\_2\_cat

- From 32 to 400 A, the FUSERBLOC is available in 2, 3 or 4 poles with direct right side operation.



- For ratings 20 to 400 A, the flat mounting kit provides a compact solution ideally suited to withdrawable applications.
- Maintenance of outputs from the DC common bus.

fuser\_702\_a\_2\_cat



# FUSERBLOC

## Fuse combination switches

for industrial fuses up to 1250 A

## References

### BS 88 - External front and side operation - 20 to 160 A

Rating (A) Fuse size Frame size	Number of poles	Reference Switch I - 0 - TEST	Reference Changeover I - 0 - II	External front handle I - 0	TEST External front handle I - 0 - TEST	External right side handle I - 0	Changeover external front handle I - 0 - II	Shaft extensions for handle	Terminal shrouds <sup>(3)</sup>	U type A/C <sup>(2)</sup>	Integrated solid neutral link
CD 20 A A1 0	3 P	3641 3000	3680 3000					320 mm 1401 0532			
	3 P + switched neutral	3641 4000	3680 4000								
	3 P+solid neutral	3641 5000									
CD 32 A A1 0	3 P	3641 3001	3680 3001	S1 type  Black IP65 1413 2111 <sup>(1)</sup>	S1 type  Black IP65 1413 2115 <sup>(1)</sup>	S1 type  Black IP65 1417 2111 <sup>(1)</sup>	S1 type  Black IP65 1413 2113 <sup>(1)</sup>		IP2x as standard		
	3 P + switched neutral	3641 4001	3680 4001								
	3 P + solid neutral	3641 5001									
32 A A1 11	2 P	3841 2003		Red/Yellow IP65 1414 2111	Red/Yellow IP65 1414 2115	Red/Yellow IP65 1418 2111	Red/Yellow IP65 1414 2113				
	3 P	3841 3003	3880 3003								
	4 P	3841 6003	3880 6003								
63 A A2-A3 12	2 P	3841 2006								1 contact NO 3999 0701	3829 9310
	3 P	3841 3006	3880 3006								
	4 P	3841 6006	3880 6006								
100 A A4 <sup>(4)</sup> 13	2 P	3841 2010						320 mm 1400 1032		1 contact NC 3999 0702	
	3 P	3841 3010	3880 3010								
	4 P	3841 6010	3880 6010								
CD 160 A A3-A4 <sup>(4)</sup> 13 A	2 P	3841 2014		S2 type  Black IP65 1423 2111 <sup>(1)</sup>	S2 type  Black IP65 1423 2115 <sup>(1)</sup>	S2 type  Black IP65 1427 2111 <sup>(1)</sup>	S2 type  Black IP65 1421 2113 <sup>(1)</sup>		2 P 3998 2016 3 P 3998 3016 4 P 3998 4016		
	3 P	3841 3014	3880 3014								
	4 P	3841 6014	3880 6014								
160 A A4 14	2 P	3841 2015		Red/Yellow IP65 1424 2111	Red/Yellow IP65 1424 2115	Red/Yellow IP65 1428 2111	Red/Yellow IP65 1424 2113				3829 9320
	3 P	3841 3015	3880 3015								
	4 P	3841 6015	3880 6015								
160 A B1-B2 14	2 P	3841 2016									
	3 P	3841 3016	3880 3016								
	4 P	3841 6016	3880 6016								

(1) Standard.

(2) 4 auxiliary contacts as standard without additional contact holder.

(3) Top/bottom.

(4) For fuse size A4: max diameter 31 mm.

## BS 88 - External front and side operation - 200 to 1250 A

Rating (A) Fuse size Frame size	Number of poles	Reference Switch I - 0 - TEST	Reference Changeover I - 0 - II	External front handle I - 0	TEST External front handle I - 0 - TEST	External right side handle I - 0	Changeover external front handle I - 0 - II	Shaft extensions for handle	Terminal shrouds <sup>(3)</sup>	U type A/C <sup>(2)</sup>	Integrated solid neutral link																					
CD 200 A A3-A4 (5) 13 A	2 P	3841 2019		S2 type	S2 type	S2 type	S2 type	320 mm 1400 1032	2 P 3998 2016		3829 9320																					
	3 P	3841 3019	3880 3019						3 P 3998 3016																							
	4 P	3841 6019	3880 6019						4 P 3998 4016																							
200 A B1-B2 15	2 P	3841 2021							S2 type			S2 type	S2 type	S2 type	320 mm 1400 1032	2 P 3998 2025		3829 9325														
	3 P	3841 3021	3880 3021													3 P 3998 3025																
	4 P	3841 6021	3880 6021													4 P 3998 4025																
250 A B1-B2-B3 15	2 P	3841 2024														Black IP65 1423 2111 <sup>(1)</sup>			Black IP65 1423 2115 <sup>(1)</sup>	Black IP65 1425 2111 <sup>(1)</sup>	Black IP65 1422 2113 <sup>(1)</sup>	320 mm 1400 1032			3829 9339							
	3 P	3841 3024	3880 3024													Red/Yellow IP65 1424 2111			Red/Yellow IP65 1424 2115	Red/Yellow IP65 1428 2111	Red/Yellow IP65 1424 2113											
	4 P	3841 6024	3880 6024																													
315 A B1-B2-B3 16	2 P	3841 2031														S3 type			S3 type	S3 type	S3 type					320 mm 1400 1232	2 P 3898 2040	1 contact NO 3999 0701	3829 9339			
	3 P	3841 3031	3880 3032 <sup>(6)</sup>																								3 P 3898 3040					
	4 P	3841 6031	3880 6032 <sup>(6)</sup>																								4 P 3898 4040					
400 A B1-B2- B3-B4 16	2 P	3841 2038		S3 type	S3 type	S3 type	S3 type	320 mm 1400 1232		1 contact NC 3999 0702																	3829 9312					
	3 P	3841 3038																														
	4 P	3841 6038																														
630 A C1-C2 17	2 P	3821 2063							S3 type	S3 type		S3 type	S3 type	320 mm 1400 1232	2 P 3898 2080			3829 9308														
	3 P	3821 3063													3 P 3898 3080																	
	4 P	3821 6063													4 P 3898 4080																	
800 A C1-C2-C3 17	2 P	3821 2080													Red/Yellow IP65 1434 3111							Black IP65 1437 3111 <sup>(1)</sup>	Red/Yellow IP65 1438 3111		320 mm 1400 1232					3898 2120		3829 9312
	3 P	3821 3080																						3898 3120								
	4 P	3821 6080																						3898 4120								
1250 A D1 18	2 P	3821 2120													S4 type						320 mm 1400 1232			3829 9312								
	3 P	3821 3120													Black IP65 1443 3111 <sup>(1)</sup>							3898 3120										
	4 P	3821 6120																				3898 4120										

(1) Standard.

(2) 4 auxiliary contacts as standard without additional contact holder.

(3) Top/bottom.

(4) 8 AC as standard without support (the support is for 8 additional auxiliary contacts).

(5) For fuse size A4: max diameter 31 mm.

(6) Terminal shrouds: 3 P - 3998 3025, 4 P - 3998 4025.

# FUSERBLOC

## Fuse combination switches

for industrial fuses up to 1250 A

### References (continued)

#### BS 88 - Direct operation - 20 to 160 A

Rating (A) Fuse size Frame size	Number of poles	Reference Side direct operation	Reference Direct front operation	Side direct handle	Direct front handle	Auxiliary contacts	Terminal shrouds <sup>(3)</sup>	Cage terminals	Handle key interlocking accessories <sup>(2)</sup>						
CD 20 A A1 0	3 P		3641 3000	Black 3629 4012	Black 3629 4012	1 contact NO/NC A-type 3999 0001 <sup>(1)</sup>	IP2x as standard	Standard							
	3 P + switched neutral		3641 4000												
	3 P + solid neutral		3641 5000												
CD 32 A A1 0	3 P		3641 3001			2 contacts NO/NC A-type 3999 0002 <sup>(1)</sup>									
	3 P + switched neutral		3641 4001												
	3 P + solid neutral		3641 5001												
32 A A1 1	2 P	3625 2003	consult us	Black 3629 7900					3629 7903						
	3 P	3625 3003	consult us												
	4 P	3625 6003	consult us												
63 A A2-A3 2	2 P	3625 2006	consult us							Black 3629 7901					3629 7913
	3 P	3625 3006	consult us												
	4 P	3625 6006	consult us												
100 A A4 <sup>(4)</sup> 3	2 P	3625 2010	consult us	1 contact NO/NC A-type 3999 0021 <sup>(1)</sup>											
	3 P	3625 3010	consult us												
	4 P	3625 6010	consult us												
CD 160 A A3-A4 <sup>(4)</sup> 3 A	2 P	3625 2014	consult us	2 contacts NO/NC A-type 3999 0022 <sup>(1)</sup>	2 P 3998 2016 3 P 5400 3016 4 P 5400 4016										
	3 P	3625 3014	consult us												
	4 P	3625 6014	consult us												
160 A A4 4	2 P	3625 2015	consult us												
	3 P	3625 3015	consult us												
	4 P	3625 6015	consult us												
160 A B1-B2 4	2 P	3625 2016	consult us												
	3 P	3625 3016	consult us												
	4 P	3625 6016	consult us												

(1) Max. 2 contacts.

(2) Lock not included.

(3) Top/bottom.

(4) For fuse size A4: max diameter 31 mm.

## BS 88 - Direct operation - 200 to 400 A

Rating (A) Fuse size Frame size	Number of poles	Reference Side direct operation	Reference Direct front operation	Side direct handle	Direct front handle	Auxiliary contacts	Terminal shrouds <sup>(3)</sup>	Cage terminals	Handle key interlocking accessories <sup>(2)</sup>
CD 200 A A3-A4 <sup>(4)</sup> 13 A	2 P	3625 2019	consult us	Black 3629 7901	consult us	1 contact NO/NC A-type 3999 0021 <sup>(1)</sup>  2 contacts NO/NC A-type 3999 0022 <sup>(1)</sup>	2 P 3998 2016 3 P 3998 3016 4 P 3998 4016	3 P 5400 3016 4 P 5400 4016	3629 7913
	3 P	3625 3019	consult us						
	4 P	3625 6019	consult us						
200 A B1-B2 5	2 P	3625 2021	consult us						
	3 P	3625 3021	consult us						
	4 P	3625 6021	consult us						
250 A B1-B2-B3 5	2 P	3625 2024	consult us						
	3 P	3625 3024	consult us						
	4 P	3625 6024	consult us						
315 A B1-B2-B3 6	2 P	3625 2032	consult us						
	3 P	3625 3032	consult us						
	4 P	3625 6032	consult us						
400 A B1-B2-B3-B4 6	2 P	3625 2039	consult us						
	3 P	3625 3039	consult us						
	4 P	3625 6039	consult us						

(1) Max. 2 contacts.

(2) Lock not included.

(3) Top/bottom.

(4) For fuse size A4: max diameter 31 mm.

## BS 88 - Direct operation - 630 to 1250 A

Rating (A) Fuse size Frame size	Number of poles	Reference Side direct operation	Reference Direct front operation	Side direct handle	Direct front handle	Auxiliary contacts	Terminal shrouds <sup>(3)</sup>	Cage terminals	Handle key interlocking accessories <sup>(2)</sup>
630 A C1-C2 17	2 P	3821 2063	3821 2063	S3 type Black 3899 7911 + 1437 3111	Black 3899 6011	1 contact NO U-type 3999 0701 <sup>(1)</sup>	2 P 3898 2080 3 P 3898 3080 4 P 3898 4080		
	3 P	3821 3063	3821 3063						
	4 P	3821 6063	3821 6063						
800 A C1-C2-C3 17	2 P	3821 2080	3821 2080		Black 3899 7011	1 contact NC U-type 3999 0702 <sup>(1)</sup>	3898 2120 3898 3120 3898 4120		
	3 P	3821 3080	3821 3080						
	4 P	3821 6080	3821 6080						
1250 A D1 18	2 P	3821 2120	3821 2120						
	3 P	3821 3120	3821 3120						
	4 P	3821 6120	3821 6120						

(1) Max. number of U-type auxiliary contacts is 8.

(2) Lock not included.

(3) Top/bottom.

# FUSERBLOC

## Fuse combination switches

for industrial fuses up to 1250 A

## References

### NFC and DIN - External front and right side operation - 25 to 125 A

Rating (A) / Fuse / Frame size	No. of poles	Switch I - 0 - TEST	Changeover switch I - 0 - II	External front handle	TEST external front handle	External right side handle	Changeover external front handle	Shaft for external handle	Auxiliary contacts <sup>(3)</sup>	Terminal shrouds <sup>(2)</sup>	Integrated solid neutral link
CD 25 A 10 x 38 0	3 P	3631 3002 <sup>(1)</sup>	3670 3002								
	3 P + switched neutral	3631 4002 <sup>(1)</sup>	3670 4002								
	3 P + solid neutral	3631 5002 <sup>(1)</sup>									
CD 32 A 10 x 38 0	3 P	3631 3003	3670 3003	S1 type	S1 type	S1 type	S1 type	320 mm 1401 0532			
	3 P + switched neutral	3631 4003	3670 4003								
	3 P + solid neutral	3631 5003									
CD 32 A 14 x 51 0	3 P	3631 3004 <sup>(1)</sup>	3670 3004	Black IP65 1413 2111	Black IP65 1413 2115	Black IP65 1417 2111	Black IP65 1413 2113		U-type	IP2x as standard	
	3 P + switched neutral	3631 4004 <sup>(1)</sup>	3670 4004	Red/Yellow IP65 1414 2111	Red/Yellow IP65 1414 2115	Red/Yellow IP65 1418 2111	Red/Yellow IP65 1414 2113				
	3 P + solid neutral	3631 5004 <sup>(1)</sup>									
50 A 14 x 51 11	2 P	3831 2005							1 contact NO 3999 0701		
	3 P	3831 3005 <sup>(1)</sup>	3870 3005								
	4 P	3831 6005 <sup>(1)</sup>	3870 6005								
63 A 00C 12	2 P	3831 2006							1contact NC 3999 0702		
	3 P	3831 3006 <sup>(1)</sup>	3870 3006								
	4 P	3831 6006 <sup>(1)</sup>	3870 6006								
100 A 22 x 58 13	2 P	3831 2010		S2 type	S2 type	S2 type	S2 type	320 mm 1400 1032 <sup>(2)</sup>			
	3 P	3831 3010 <sup>(1)</sup>	3870 3010								
	4 P	3831 6010 <sup>(1)</sup>	3870 6010								
125 A 22 x 58 13	2 P	3831 2011		Black IP65 1423 2111	Black IP65 1423 2115	Black IP65 1427 2111	Black IP65 1423 2113			2 P 3998 2016 3 P 3998 3016 4 P 3998 4016	3829 9310
	3 P	3831 3011	3870 3011	Red/Yellow IP65 1424 2111	Red/Yellow IP65 1424 2115	Red/Yellow IP65 1428 2111	Red/Yellow IP65 1424 2113				
	4 P	3831 6011	3870 6011								
125 A 00 13	2 P	3831 2012									
	3 P	3831 3012	3870 3012								
	4 P	3831 6012	3870 6012								

(1) Available enclosed (see page "Enclosed fuse switches" page 730).

(2) Top/bottom.

(3) Maximum 4 contacts.

## NFC and DIN - External front and right side operation - 160 to 1250 A

Rating (A) / Fuse / Frame size	No. of poles	Switch I - TEST	Changeover switch I - 0 - II	External front handle	TEST external front handle	External right side handle	Changeover external front handle	Shaft for external handle	Auxiliary contacts <sup>(3)</sup>	Terminal shrouds <sup>(2)</sup>	Integrated solid neutral link
160 A 00 13	2 P	3831 2015								2 P 3998 2016 3 P 3998 3016 4 P 3998 4016	3829 9320
	3 P	3831 3015	3870 3015								
	4 P	3831 6015	3870 6015								
160 A 0 14	2 P	3831 2016		S2 type	S2 type	S2 type	S2 type	320 mm 1400 1032		2 P 3998 2025 3 P 3998 3025 4 P 3998 4025	3829 9325
	3 P	3831 3016 <sup>(1)</sup>	3870 3016	Black IP65 1423 2111	Black IP65 1423 2115	Black IP65 1427 2111	Black IP65 1423 2113				
	4 P	3831 6016 <sup>(1)</sup>	3870 6016	Red/Yellow IP65 1424 2111	Red/Yellow IP65 1424 2115	Red/Yellow IP65 1428 2111	Red/Yellow IP65 1424 2113				
250 A 1 15	2 P	3831 2024		Red/Yellow IP65 1424 2111	Red/Yellow IP65 1424 2115	Red/Yellow IP65 1428 2111	Red/Yellow IP65 1424 2113			2 P 3998 2025 3 P 3998 3025 4 P 3998 4025	3829 9325
	3 P	3831 3024 <sup>(1)</sup>	3870 3024								
	4 P	3831 6024 <sup>(1)</sup>	3870 6024								
400 A 2 16	2 P	3831 2038							U-type  1 contact NO 3999 0701	2 P 3898 2040 3 P 3898 3040 4 P 3898 4040	3829 9339
	3 P	3831 3038 <sup>(1)</sup>	3870 3039 <sup>(4)</sup>								
	4 P	3831 6038 <sup>(1)</sup>	3870 6039 <sup>(4)</sup>								
630 A 3 17	2 P	3811 2063		S3 type  Black IP65 1433 3111					1 contact NC 3999 0702	2 P 3898 2080 3 P 3898 3080 4 P 3898 4080	3829 9308
	3 P	3811 3063 <sup>(1)</sup>									
	4 P	3811 6063 <sup>(1)</sup>									
800 A 3 17	2 P	3811 2080		Red/Yellow IP65 1434 3111		S3 type  Black IP65 1437 3111					
	3 P	3811 3080									
	4 P	3811 6080									
800 A 4 18	2 P	3811 2081		S4 type  Black IP65 1443 3111		Red/Yellow IP65 1438 3111				2 P 3898 2120 3 P 3898 3120 4 P 3898 4120	3829 9312
	3 P	3811 3081									
	4 P	3811 6081									
1250 A 4 18	2 P	3811 2120		Red/Yellow IP65 1444 3111							
	3 P	3811 3120									
	4 P	3811 6120									

(1) Available enclosed (see "Enclosed fuse switches" page 730).

(2) Top/bottom.

(3) Maximum 4 contacts.

(4) Terminal shrouds: 3 P - 3998 3025, 4 P - 3998 4025.



# FUSERBLOC

## Fuse combination switches

for industrial fuses up to 1250 A

### References (continued)

#### NFC and DIN - Direct operation - 25 to 125 A

Rating (A) Fuse size Frame size	No. of poles	Direct side operation	Direct front operation	Direct handle	Auxiliary contacts	Terminal shrouds	Cage terminals	Lock for fuse protection cover	Handle key interlocking accessories <sup>(6)</sup>
CD 25 A 10 x 38 0	3 P		3631 3002	Black 3629 4012 <sup>(1)(2)</sup>	A-type 1 contact NO/NC 3999 0001 <sup>(3)</sup>  A-type 2 contacts NO/NC 3999 0002 <sup>(3)</sup>	IP2x as standard	Standard	Standard	
	3 P + switched neutral		3631 4002						
	3 P + solid neutral		3631 5002						
CD 32 A 10 x 38 0	3 P		3631 3003						
	3 P + switched neutral		3631 4003						
	3 P + solid neutral		3631 5003						
CD 32 A 14 x 51 0	3 P		3631 3004						
	3 P + switched neutral		3631 4004						
	3 P + solid neutral		3631 5004						
50 A 14 x 51 1	2 P	3615 2005	consult us	Black 3629 7900 <sup>(5)(2)</sup>	A-type 1 contact NO/NC 3999 0021 <sup>(3)</sup>  A-type 2 contacts NO/NC 3999 0022 <sup>(3)</sup>	IP2x as standard	Standard	3999 8906	3629 7903
	3 P	3615 3005	consult us						
	4 P	3615 6005	consult us						
63 A 00C 2	2 P	3615 2006	consult us						
	3 P	3615 3006	consult us						
	4 P	3615 6006	consult us						
100 A 22 x 58 3	2 P	3615 2010	consult us	Black 3629 7901 <sup>(5)(2)</sup>	A-type 1 contact NO/NC 3999 0021 <sup>(3)</sup>  A-type 2 contacts NO/NC 3999 0022 <sup>(3)</sup>	IP2x as standard	Standard	3999 8912	3629 7913
	3 P	3615 3010	consult us						
	4 P	3615 6010	consult us						
125 A 22 x 58 3	2 P	3615 2011	consult us						
	3 P	3615 3011	consult us						
	4 P	3615 6011	consult us						
125 A 00 3	2 P	3615 2012	consult us						
	3 P	3615 3012	consult us						
	4 P	3615 6012	consult us						

(1) Direct front operation.

(2) Standard.

(3) Maximum 2 contacts.

(4) Top or bottom.

(5) Direct right side operation.

(6) Locking using RONIS EL11AP lock (lock not included).

## NFC and DIN - Direct operation - 160 to 400 A

Rating (A) Fuse size Frame size	No. of poles	Direct side operation	Direct front operation	Direct handle	Auxiliary contacts	Terminal shrouds	Cage terminals	Lock for fuse protection cover	Handle key interlocking accessories <sup>(5)</sup>	
160 A 00 3	2 P	3615 2015	consult us	Black 3629 7901 <sup>(4)(1)</sup>	A-type 1 contact NO/NC 3999 0021 <sup>(2)</sup>	2 P 3998 2016 <sup>(3)</sup>	3 P 5400 3016 4 P 5400 4016	3999 8912	3629 7913	
	3 P	3615 3015	consult us			3 P 3998 3016 <sup>(3)</sup>				
	4 P	3615 6015	consult us			4 P 3998 4016 <sup>(3)</sup>				
160 A 0 4	2 P	3615 2016	consult us	Black 3629 7901 <sup>(4)(1)</sup>		A-type 2 contacts NO/NC 3999 0022 <sup>(2)</sup>	2 P 3998 2025 <sup>(3)</sup>	3 P 5400 3025 4 P 5400 4025		3999 8216
	3 P	3615 3016	consult us				3 P 3998 3025 <sup>(3)</sup>			3999 8316
	4 P	3615 6016	consult us				4 P 3998 4025 <sup>(3)</sup>			3999 8416
250 A 1 5	2 P	3615 2024	consult us	Black 3629 7901 <sup>(4)(1)</sup>	A-type 2 contacts NO/NC 3999 0022 <sup>(2)</sup>		2 P 3998 2025 <sup>(3)</sup>	3 P 5400 3025 4 P 5400 4025		3999 8225
	3 P	3615 3024	consult us				3 P 3998 3025 <sup>(3)</sup>			3999 8325
	4 P	3615 6024	consult us				4 P 3998 4025 <sup>(3)</sup>			3999 8425
400 A 2 6	2 P	3615 2039	consult us	Black 3629 7901 <sup>(4)(1)</sup>		A-type 2 contacts NO/NC 3999 0022 <sup>(2)</sup>	2 P 3998 2025 <sup>(3)</sup>	3 P 5400 3040 4 P 5400 4040		3999 8240
	3 P	3615 3039	consult us				3 P 3998 3025 <sup>(3)</sup>		3999 8340	
	4 P	3615 6039	consult us				4 P 3998 4025 <sup>(3)</sup>		3999 8440	

(1) Standard.

(2) Maximum 2 contacts.

(3) Top/bottom.

(4) Direct right side operation.

(5) Locking using RONIS EL11AP lock (lock not included).

## NFC and DIN - Direct operation - 630 to 1250 A

Rating (A) Fuse size Frame size	No. of poles	Direct side and front operation	Direct front handle	Direct side handle	Auxiliary contacts	Terminal shrouds			
630 A 3 17	2 P	3811 2063	Black 3899 6011 <sup>(1)(2)</sup>	S3 type Black 3899 7911 + 1437 3111	U-type 1 contact NO 3999 0701 <sup>(4)</sup> 1 contact NC 3999 0702 <sup>(4)</sup>	2 P 3898 2080 <sup>(3)</sup>			
	3 P	3811 3063				3 P 3898 3080 <sup>(3)</sup>			
	4 P	3811 6063				4 P 3898 4080 <sup>(3)</sup>			
800 A 3 17	2 P	3811 2080				Black 3899 7011 <sup>(1)(2)</sup>	S3 type Black 3899 7911 + 1437 3111	U-type 1 contact NO 3999 0701 <sup>(4)</sup> 1 contact NC 3999 0702 <sup>(4)</sup>	2 P 3898 2120 <sup>(3)</sup>
	3 P	3811 3080							3 P 3898 3120 <sup>(3)</sup>
	4 P	3811 6080							4 P 3898 4120 <sup>(3)</sup>
800 A 4 18	2 P	3811 2081	Black 3899 7011 <sup>(1)(2)</sup>	S3 type Black 3899 7911 + 1437 3111	U-type 1 contact NO 3999 0701 <sup>(4)</sup> 1 contact NC 3999 0702 <sup>(4)</sup>	2 P 3898 2120 <sup>(3)</sup>			
	3 P	3811 3081				3 P 3898 3120 <sup>(3)</sup>			
	4 P	3811 6081				4 P 3898 4120 <sup>(3)</sup>			
1250 A 4 18	2 P	3811 2120	Black 3899 7011 <sup>(1)(2)</sup>			S3 type Black 3899 7911 + 1437 3111	U-type 1 contact NO 3999 0701 <sup>(4)</sup> 1 contact NC 3999 0702 <sup>(4)</sup>	2 P 3898 2120 <sup>(3)</sup>	
	3 P	3811 3120						3 P 3898 3120 <sup>(3)</sup>	
	4 P	3811 6120						4 P 3898 4120 <sup>(3)</sup>	

(1) Direct front operation.

(2) Standard.

(3) Top/bottom.

(4) Maximum 8 contacts.

# FUSERBLOC

## Fuse combination switches

for industrial fuses up to 1250 A

### Accessories

#### Direct operation handle

For front operation				
Rating (A)	Frame size	Figure no.	Handle colour	Reference
20 ... 32	0	1	Black	3629 4012
20 ... 32	0	1	Red	3629 4013
32 ... 400	11 ... 16	2	Black	3629 7910 <sup>(1)</sup>
630 ... 800	17	2	Black	3899 6011
800 ... 1250	18	3	Black	3899 7011

For right side operation				
Rating (A)	Frame size	Figure no.	Handle colour	Reference
32 ... 63	1/2	4	Black	3629 7900
100 ... 400	3 ... 6	4	Black	3629 7901
630 ... 1250	17 ... 18	5	Black	1437 7911

(1) Direct operation handle for switches 3841 xxxx and 3831 xxxx.



#### External front operation handle

Padlockable handle in position 0							
Rating (A)	Frame size	Handle type	Handle colour	Operation	External IP <sup>(1)</sup>	Defeatable handle	Reference
CD 25 ... 63	0/11/12	S1	Black	I - 0	IP55	Yes	1411 2111
CD 25 ... 63	0/11/12	S1	Black	I - 0	IP65	Yes	1413 2111
CD 25 ... 63	0/11/12	S1	Red/Yellow	I - 0	IP65	Yes	1414 2111
CD 25 ... 63	0/11/12	S1	Black	I - 0 - Test	IP65	Yes	1413 2115
CD 25 ... 63	0/11/12	S1	Red/Yellow	I - 0 - Test	IP65	Yes	1414 2115
100 ... 400	13 ... 16	S2	Black	I - 0	IP55	Yes	1421 2111
100 ... 400	13 ... 16	S2	Black	I - 0	IP65	Yes	1423 2111
100 ... 400	13 ... 16	S2	Red/Yellow	I - 0	IP65	Yes	1424 2111
100 ... 400	13 ... 16	S2	Black	I - 0 - Test	IP65	Yes	1423 2115
100 ... 400	13 ... 16	S2	Red/Yellow	I - 0 - Test	IP65	Yes	1424 2115
630 ... 800	17	S3	Black	I - 0	IP65	Yes	1433 3111
630 ... 800	17	S3	Red/Yellow	I - 0	IP65	Yes	1434 3111
800 ... 1250	18	S4	Black	I - 0	IP65	Yes	1443 3111
800 ... 1250	18	S4	Red/Yellow	I - 0	IP65	Yes	1444 3111

(1) IP: protection degree according to IEC 60529 standard.

Padlockable handle in position 0 and I					
Rating (A)	Frame size	Handle type	Handle colour	External IP <sup>(1)</sup>	Reference
CD 25 ... 63	0/11/12	S1	Black	IP65	1413 2311
100 ... 400	13 ... 16	S2	Black	IP65	1423 2311

(1) IP: protection degree according to IEC 60529 standard.



#### External right side operation handle

Rating (A)	Frame size	Handle type	Handle colour	External IP <sup>(1)</sup>	Reference
CD 25 ... 63	0/11/12	S1	Black	IP55	1415 2111
CD 25 ... 63	0/11/12	S1	Black	IP65	1417 2111
CD 25 ... 63	0/11/12	S1	Red/Yellow	IP65	1418 2111
100 ... 400	13 ... 16	S2	Black	IP55	1425 2111
100 ... 400	13 ... 16	S2	Black	IP65	1427 2111
100 ... 400	13 ... 16	S2	Red/Yellow	IP65	1428 2111
630 ... 1250	17/18	S3	Black	IP65	1437 3111
630 ... 1250	17/18	S3	Red/Yellow	IP65	1438 3111

(1) IP: protection degree according to IEC 60529 standard.



## External front operation handle with metal padlocking lever

Rating (A)	Frame size	Handle type	Handle colour	External IP <sup>(1)</sup>	Defeatable handle	Reference
CD 25 ... 63	0/11/12	S1	Black	IP65	Yes	141D 2911
CD 25 ... 63	0/11/12	S1	Red/Yellow	IP65	Yes	141E 2911
100 ... 400	13 ... 16	S2	Black	IP65	Yes	142D 2911
100 ... 400	13 ... 16	S2	Red/Yellow	IP65	Yes	142E 2911
600 ... 800	17	S3	Black	IP65	Yes	143D 3911
600 ... 800	17	S3	Red/Yellow	IP65	Yes	143E 3911
800 ... 1250	18	S4	Black	IP65	Yes	144D 3911
800 ... 1250	18	S4	Red/Yellow	IP65	Yes	144E 3911

(1) IP: protection degree according to IEC 60529 standard.



S2 type handle

S3 type handle

## S-type handle adapter

### Use

Enables S-type handles to be fitted in place of existing older style Socomec handles.

Adapter can be utilised as a spacer to increase the distance between the panel door and the handle lever.

### Dimensions

Adds 12 mm to the depth of the handle.

Handle colour	To be ordered in multiples of	External IP <sup>(1)</sup>	Reference
Black	1	IP65	1493 0000

(1) IP: protection degree according to IEC 60529 standard.



access\_187\_a\_1\_cat

## Alternative S-type handle cover colours

### Use

For single lever handles S1, S2, S3 types and double lever handle, S4 type.  
Other colours: please consult us.

Handle colour	To be ordered in multiples of	Handle type	Reference
Light grey	50	S1, S2	1401 0001
Dark grey	50	S1, S2	1401 0011
Light grey	50	S4	1401 0031
Dark grey	50	S4	1401 0041



access\_198\_a\_1\_cat

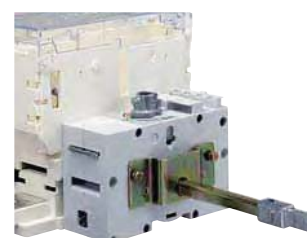
## Flat mounting kit

### Use

The flat mounting providing compact solution ideally suited to withdrawable applications.

Kit to be used with a handle for flat mounting.

Rating (A)	Frame size	Type	Reference
CD 25 ... CD 32	0	Kit + Shaft 200 mm	1429 7709
50 ... 400	11 ... 16	Kit + Shaft 200 mm	1429 7710



fuser\_535\_a\_1\_cat

## Handle for flat mounting kit

Padlockable handle in position 0						
Rating (A)	Frame size	Handle type	Handle colour	External IP <sup>(1)</sup>	Reference	
CD 25 ... 63	0/11/12	S1	Black	IP55	1411 2111 <sup>(2)</sup>	
CD 25 ... 63	0/11/12	S1	Red/Yellow	IP65	1414 2111 <sup>(2)</sup>	
100 ... 400	13 ... 16	S2	Black	IP55	1421 2111 <sup>(2)</sup>	
100 ... 400	13 ... 16	S2	Red/Yellow	IP65	1424 2111 <sup>(2)</sup>	

(1) IP: protection degree according to IEC 60529 standard.

(2) Defeatable handle in position I.



S2 type handle.

fuser\_536\_a\_1\_cat

# FUSERBLOC

## Fuse combination switches

for industrial fuses up to 1250 A

### Accessories (continued)

#### Front operation shaft support accessory

Use

This support maintains shaft position for extension shafts greater than 320 mm in length.

Rating (A)	Frame size	Reference
50 ... 400	11 ... 16	3899 0400



fuser\_698\_a\_2\_cat

#### Shaft guide for external operation

Use

To guide the shaft extension into the external handle.

This accessory enables the handle to engage the extension shaft with a misalignment of up to 15 mm.

Required for a shaft lengths over 320 mm.

Description	Reference
Shaft guide	1429 0000



access\_260\_a\_2\_cat

#### Shaft for external front operation handle

Use

Standard lengths:

- 200 mm
- 320 mm
- 400 mm
- 500 mm.

Other lengths: consult us.

Rating (A)	Frame size	Shaft length (mm)	Reference
CD 20 ... CD 32	0	200	1401 0520
CD 20 ... CD 32	0	320	1401 0532
CD 20 ... CD 32	0	400	1401 0540 <sup>(1)</sup>
32 ... 400	11 ... 16	200	1400 1020
32 ... 400	11 ... 16	320	1400 1032
32 ... 400	11 ... 16	500	1400 1050 <sup>(2)</sup>
630 ... 800	17	200	1400 1220
630 ... 1250	17/18	320	1400 1232
630 ... 1250	17/18	500	1400 1250 <sup>(1)</sup>

(1) Use the shaft guide accessory for external operation.

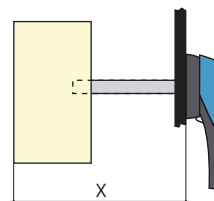
(2) Use the front operation shaft support accessory.

access\_145\_b\_1\_cat



access\_369\_a\_1\_cat

access\_202\_a\_1\_x\_cat



#### Dimension X (mm) for FUSERBLOC BS88

Rating (A)	CD 20 ... CD 32	32	63 ... 160	CD160 ... CD200	160 ... 200	250 ... 315	630 ... 800	1250
Fuse size	A1	A1	A2-A3/A4	A3-A4	B1-B2	B1-B2-B3	C1-C2-C3	D1
Frame size	0	11	12/13/14	13 A	14/15	15/16	17	18
Shaft length (mm)								
200	102 ... 245	100 ... 230	125 ... 230	150 ... 230	135 ... 230	160 ... 230	270 ... 304	
320	102 ... 365	100 ... 350	125 ... 350	150 ... 350	135 ... 350	160 ... 350	270 ... 424	304 ... 424
400	102 ... 445							
500		100 ... 530	125 ... 530	150 ... 530	135 ... 530	160 ... 530	270 ... 600	304 ... 600

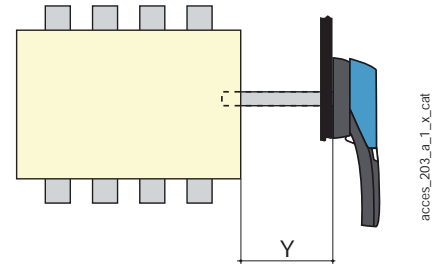
#### Dimension X (mm) for FUSERBLOC NFC and DIN

Rating (A)	CD 25 ... CD 32	50	63	100 ... 160	160	250 ... 400	630 ... 800	800 ... 1250
Fuse size	10x38/14x51	14x51	00C	22x58/00	0	1/2	3	4
Frame size	0	11	12	13	14	15/16	17	18
Shaft length (mm)								
200	102 ... 245	100 ... 230	125 ... 230	135 ... 230	145 ... 230	160 ... 230	270 ... 304	
320	102 ... 365	100 ... 350	125 ... 350	135 ... 350	145 ... 350	160 ... 350	270 ... 424	304 ... 424
400	102 ... 445	100 ... 430	125 ... 430	135 ... 430	145 ... 430	160 ... 430	270 ... 504	304 ... 504
500		100 ... 530	125 ... 530	135 ... 530	145 ... 530	160 ... 530	270 ... 604	304 ... 604

## Shaft extensions for external side operation

Use  
Standard lengths, 200 mm.

Rating (A)	Frame size	Handle type	Dimension Y (mm)	Shaft length (mm)	Reference
CD 25 ... CD 32	0	S	36 ... 159	200	1401 0520
50 ... 400	11 ... 16	S	36 ... 172	200	1400 1020
630 ... 1250	17/18	S	15 ... 150	200	1400 1220



access\_203\_a\_1\_x\_cat

## Integrated solid neutral link

Use  
Fixing the solid neutral onto the mechanism produces a device with a solid neutral of the same size as a standard three-pole device (+ 6 mm).

BS88 for external front operation			
Rating (A)	Switch body size	Bar rating (A)	Reference
32 ... 100	11/12/13	125	3829 9310
CD 160 ... CD 200	13a	200	3829 9320
160	14	200	3829 9320
200 ... 250	15	250	3829 9325
315 ... 400	16	400	3829 9339
630 ... 800	17	800	3829 9308
1250	18	1250	3829 9312

NFC and DIN For external front operation			
Rating (A)	Frame size	Bar rating (A)	Reference
50 ... 125	11/12/13	125	3829 9310
160	13	160	3829 9320
160	14	200	3829 9320
250	15	250	3829 9325
400	16	400	3829 9339
630 ... 800	17	800	3829 9308
800 ... 1250	18	1250	3829 9312



access\_130\_a\_1\_cat

access\_131\_a\_1\_cat

## Solid neutral module

BS88 for external front operation				
Rating (A)	Switch body size	I <sub>max</sub> (A)	Distance (mm)	Reference
32	1/11	32	27	3629 9227
63	2/12	63	32	3629 9232
100	3/13	100	36	3629 9236
CD 160 ... CD 200	13 a	200	36	3629 9237
160	4/14	160	50	3629 9250
200 ... 250	5/15	250	60	3629 9260
315 ... 400	6	400	66	3629 9266 <sup>(1)</sup>
630 ... 800	17	800	94	3629 9294
1250	18	1250	120	3629 9212

NFC and DIN For external front operation				
Rating (A)	Frame size	I <sub>max</sub> (A)	Distance (mm)	Reference
50	1/11	50	27	3629 9227
63	2/12	63	32	3629 9232
100 ... 160	3/13	160	36	3629 9236
160	4/14	160	50	3629 9250
250	5/15	250	60	3629 9260
400	6/16	400	60	3629 9266 <sup>(1)</sup>
630 ... 800	17	800	94	3629 9294
800 ... 1250	18	1250	120	3629 9212



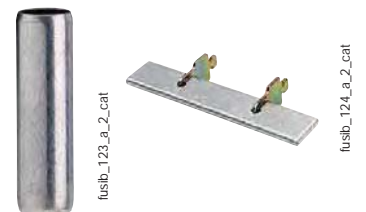
access\_199\_a\_2\_cat

(1) For external front operation switches an adaptation kit 3999 0000 must be ordered in addition to the original product reference

## Solid links

BS88 switches				
Rating (A)	Frame size	Fuse size	I <sub>max</sub> (A)	Reference
32	11	A1	32	3629 9003
63	12	A2-A3	63	3629 9006
100	13	A4	160	3629 9010
CD 160	13a	A3-A4	160	3629 9010
160	14	A4	160	3629 9010
160	14	B1-B2	200	3629 9016
CD 200	13a	A3-A4	160	3629 9010
200	15	B1-B2	200	3629 9016
250	15	B1-B2-B3	315	3629 9025
315	16	B1-B2-B3	315	3629 9025
400	16	B1-B2-B3-B4	400	3629 9040
630 ... 800	17	C1-C3	800	3629 9063
1250	18	D1	1250	3629 9120

NFC and DIN switches				
Rating (A)	Frame size	Fuse size	I <sub>max</sub> (A)	Reference
50	1/11	14 x 51	50	6029 0000
63	2/12	00C	160	6420 0000
100 ... 125	3/13	22 x 58	125	6039 0000
125 ... 160	3/13	00	160	6420 0000
160	4/14	0	160	6421 0000
250	5/15	1	250	6421 0001
400	6/16	2	400	6421 0002
630 ... 800	17	3	800	6421 0003
800 ... 1250	18	4	1250	6441 0005



fushb\_123\_a\_2\_cat

fushb\_124\_a\_2\_cat

# FUSERBLOC

## Fuse combination switches

for industrial fuses up to 1250 A

### Accessories (continued)

#### A-type auxiliary contacts

##### Use

Pre-break and position 0 and I signalling by 1 or 2 NO /NC auxiliary contacts. For low level use, specific auxiliary contacts: please consult us.

##### Connection to the control circuit

By 6.35 mm fast-on terminal.

##### Electrical characteristics

30 000 operations.

##### References

NO / NC auxiliary contacts			
Rating (A)	Frame size	Contact(s)	Reference
CD 20 ... CD 32	0	1	3999 0001
CD 20 ... CD 32	0	2	3999 0002
32 ... 400 <sup>(1)</sup>	1 ... 6	1	3999 0021 <sup>(2)</sup>
32 ... 400 <sup>(1)</sup>	1 ... 6	2	3999 0022 <sup>(2)</sup>

(1) Side direct operation switch only.

(2) A type auxiliary contacts cannot be mounted in conjunction with integrated solid neutral.

##### Characteristics

Rating (A)	Current nominal (A)	Operating current I <sub>e</sub> (A)			
		250 VAC AC-13	400 VAC AC-13	24 VDC DC-13	48 VDC DC-13
CD 20 ... 400	16	4	2	12	2



access\_046\_a\_1\_cat

access\_047\_a\_2\_cat

#### U-type auxiliary contacts<sup>(1)</sup>

##### Use

Compact universal type auxiliary contacts which can be configured for operation in either, or both, ON and TEST positions for CD 20 to 1250 A FUSERBLOC. Each slot can accommodate up to two interlocked A/Cs.

##### Connection to the control circuit

By terminals with max. section 2 x 2.5 mm<sup>2</sup>.

For FUSERBLOC CD 20 to 400 A: Pre-break and signalling of positions 0, I and TEST.

For FUSERBLOC ≥ 630 A: Pre-break and position 0 and I signalling.

##### References

NO auxiliary contacts			
Rating (A)	Frame size	Contact(s)	Reference <sup>(1)</sup>
CD 20 ... 1250	0 ... 18	1	3999 0701 <sup>(2)</sup>

NC auxiliary contacts			
Rating (A)	Frame size	Contact(s)	Reference <sup>(1)</sup>
CD 20 ... 1250	0 ... 18	1	3999 0702 <sup>(2)</sup>

(1) Cannot be mounted in direct operation CD20 - CD32 switches..

(2) 4 auxiliary contacts as standard without additional A/C holder.

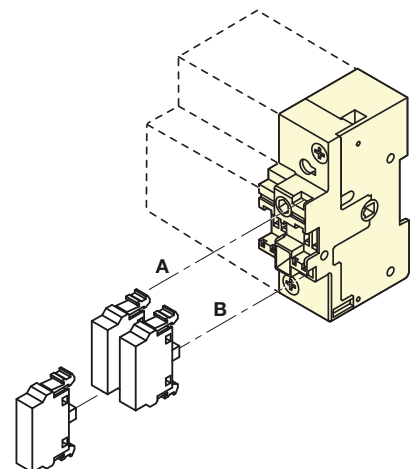
Contact holder for additional auxiliary contacts			
Rating (A)	Frame size	Contact(s)	Reference
CD 20 ... CD 32	0	4 (2 x 2 max)	3999 0710
32 ... 400	11 ... 16	4 (2 x 2 max)	3999 0600

##### Characteristics

Rating (A)	Operating current I <sub>e</sub> (A)			
	250 VAC AC-15	400 VAC AC-15	24 VDC DC-13	48 VDC DC-13
CD 20 ... 1250	3	1.8	2.8	1.4



access\_056\_a\_1\_cat



access\_043\_a\_1\_x\_cat

(1) CD 20 - CD 32 : U-type auxiliary contacts cannot be mounted on switches with an integrated solid neutral or with direct operation handle.



## S and ST-type auxiliary contacts

### Use

For FUSERBLOCs 32 to 1250 A, position 0 and I signalling by 1 to 4 NO + NC auxiliary contacts.

### Electrical principle

The NO + NC S-type auxiliary contacts can be configured as 2 NC or 2 NO.

### References

S-type auxiliary contacts 0-I for external front and right-side operation (Standard operation)				
Rating (A)	Frame size	Contact type	S-type AC Reference	Drive shaft (optional) Reference
32 ... 1250	11 ... 18	NC+NO	3999 0041 <sup>(1)</sup>	3999 0003

ST-type auxiliary contacts I-0-TEST for external front and right-side operation (TEST operation)					
Rating (A)	Frame size	Contact type	Description	ST-type AC Reference	Drive shaft Reference
32 ... 400	11 ... 16	NC+NO	TEST + ON	3999 0141 <sup>(2)</sup>	3999 0103
32 ... 400	11 ... 16	2 O	TEST + ON	3999 0241 <sup>(2)</sup>	3999 0103

(1) Drive shaft included with S-type Auxiliary Contact.

(2) Drive shaft to be ordered in addition to the ST-type Auxiliary Contact.

### Characteristics

Rating (A)	Current nominal (A)	Operating current I <sub>e</sub> (A)	
		250 VAC AC-13	400 VAC AC-13
32 ... 1250	20	10	8

### Connection

By terminals with max. cross-section 10 mm<sup>2</sup>.

### Mechanical characteristics

30 000 operations.



access\_051\_a\_2\_cat



access\_083\_a\_1\_cat

### Important:

- > For the 400 A frame size 16, an adaptation kit reference 3999 0000 must be ordered in addition to the auxiliary contact kit.

## Fuse cover interlocking

### Use

On NFC and DIN, side direct operation, locking of the opening of the fuse protection cover when FUSERBLOC is engaged (position I).

Rating (A)	Frame size	Fuse size	No. of poles	Reference
CD 20 ... 50	0 ... 1	10 x 38 / 14 x 51	2 / 3 / 4	included
63	2	00C	2 / 3 / 4	3999 8906
100 ... 125	3	22 x 58	2 / 3 / 4	3999 8912
125 ... 160	3	00	2 / 3 / 4	3999 8912
160	4	0	2 P	3999 8216
160	4	0	3 P	3999 8316
160	4	0	4 P	3999 8416
250	5	1	2 P	3999 8225
250	5	1	3 P	3999 8325
250	5	1	4 P	3999 8425
400	6	2	2 P	3999 8240
400	6	2	3 P	3999 8340
400	6	2	4 P	3999 8440

## Terminal shrouds

### Use

Top or bottom IP20 protection (on the front) against direct contact with terminals or connection parts.

Two sets required to fully shroud both incoming and outgoing terminals.

Rating (A)	Frame size	Position	No. of poles	Reference
CD 20 ... 63	0/1/2/12	top / bottom	2 / 3 / 4 P	integrated
100 ... CD 200	3/4/13/14	top / bottom	2 P	3998 2016
100 ... CD 200	3/4/13/14	top / bottom	3 P	3998 3016
100 ... CD 200	3/4/13/14	top / bottom	4 P	3998 4016
200 ... 400	5/6/15	top / bottom	2 P	3998 2025
200 ... 400	5/6/15	top / bottom	3 P	3998 3025
200 ... 400	5/6/15	top / bottom	4 P	3998 4025
315 ... 400	16	top / bottom	2 P	3898 2040
315 ... 400	16	top / bottom	3 P	3898 3040
315 ... 400	16	top / bottom	4 P	3898 4040
630 ... 800	17	top / bottom	2 P	3898 2080
630 ... 800	17	top / bottom	3 P	3898 3080
630 ... 800	17	top / bottom	4 P	3898 4080
800 ... 1250	18	top / bottom	2 P	3898 2120
800 ... 1250	18	top / bottom	3 P	3898 3120
800 ... 1250	18	top / bottom	4 P	3898 4120



fuser\_314\_a\_1\_cat



# FUSERBLOC

## Fuse combination switches

for industrial fuses up to 1250 A

### Accessories (continued)

#### NFC and DIN worked fuse indication

##### Use

For fuse cartridge with striker (size 14 x 51 22 x 58; 0; 1; 2; 3 and 4).

##### Electrical principle

A NO/NC auxiliary contact detects that the fuse has blown.

##### References

NO/NC type auxiliary contacts for 2 pole

Rating (A)	Frame size	Fuses	Contact(s)	Reference
50	11	14 x 51	1 <sup>st</sup>	3994 0405
100 ... 125	13	22 x 58	1 <sup>st</sup>	3994 0210
160	14	0	1 <sup>st</sup>	3994 0216
250	15/16	1-2	1 <sup>st</sup>	3994 0225
400 <sup>(1)</sup>	16	2	1 <sup>st</sup>	3894 0440
630	17	3	1 <sup>st</sup>	3894 1206
800 ... 1250	18	4	1 <sup>st</sup>	3894 1212

NO/NC type auxiliary contacts for 3 pole

Rating (A)	Frame size	Fuses	Contact(s)	Reference
CD 32	0	14 x 51	1 <sup>st</sup>	3994 0303
50	11	14 x 51	1 <sup>st</sup>	3994 0405
100 ... 125	13	22 x 58	1 <sup>st</sup>	3994 0310
160	14	0	1 <sup>st</sup>	3994 0316
250	15/16	1-2	1 <sup>st</sup>	3994 0325
400 <sup>(1)</sup>	16	2	1 <sup>st</sup>	3894 0440
630	17	3	1 <sup>st</sup>	3894 1306
800 ... 1250	18	4	1 <sup>st</sup>	3894 1312
50 ... 250	11	-	2 <sup>nd</sup>	3994 1901
400	16	2	2 <sup>nd</sup>	3994 1902
630 ... 1250	16	-	2	3994 1901

NO/NC type auxiliary contacts for 4 pole or 3 pole + neutral

Rating (A)	Frame size	Fuses	Contact(s)	Reference
50	11	14 x 51	1 <sup>st</sup>	3994 0405
100 ... 125	13	22 x 58	1 <sup>st</sup>	3994 0410
160	14	0	1 <sup>st</sup>	3994 0416
250	15/16	1-2	1 <sup>st</sup>	3994 0425
400 <sup>(1)</sup>	16	2	1 <sup>st</sup>	3894 0440
630	17	3	1 <sup>st</sup>	3894 1406
800 ... 1250	18	4	1 <sup>st</sup>	3894 1412
50 ... 250	11	-	2 <sup>nd</sup>	3994 1901
400	16	2	2 <sup>nd</sup>	3994 1902
630 ... 1250	16	-	2	3994 1901

(1) For front direct and external left side operation handles, please order references 39940225 (2P), 39940325 (3P), 39940425 (4P)

##### Characteristics

Rating (A)	Current nominal (A)	Operating current I <sub>e</sub> (A)			
		250 VAC AC-13	400 VAC AC-13	24 VDC DC-13	48 VDC DC-13
CD 32 ... 1250	16	4	3	12	2

##### Connection to the control circuit

6.35 mm fast-on terminal.

##### Mechanical characteristics

30 000 operations.



DDMM for cylindrical fuses



DDMM for NH fuses

fuser\_311\_a\_1\_cat

fuser\_312\_a\_1\_cat

### Electronic fuse monitoring device (FMD)

##### Use

Provides fuse state monitoring and worked fuse indication even for fuse links without monitoring device strikers. Suitable for use with BS88, DIN and UL type fuses.

##### Principle

The Fuse Monitoring Device (FMD) detects the worked fuse and provides a signal via: a relay and 1 LED (FMD10) or a bi-stable relay and 3 LEDs (FMD30).

The FMD can be DIN rail or back plate mounted close to the Fuserbloc, directly mounted on the FUSERBLOC, or it can be door mounted to provide information directly on the front of a panel.

##### References

For FUSERBLOC 63 to 1250A - size 000 to 4

Nb of LEDs	Operating voltage Ph/Ph	Reference
1 (FMD10)	120 - 260 VAC	3899 1120
1 (FMD10)	380 - 690 VAC	3899 1380
3 (FMD30)	120 - 260 VAC	3899 3120
3 (FMD30)	380 - 690 VAC	3899 3380

Accessories	Reference
Kit for connection accessories	Standard
Kit for connection accessories	Door mounted

##### Relay characteristics

Rating (A)	Relay operating current I <sub>c</sub> (A)	
	AC-15	DC-13
63 ... 1250	2.5 A	0.2



1 LED version (FMD10)

3 LED version (FMD30)

#### Important:

> For direct mounting on the 400 A frame size 16, an adaptation kit reference 3999 0000 must be ordered in addition to the FMD.

## Cage terminals

### Use

Connection of bare copper cables onto the terminals (without lugs).

### References

Rating max (A)	Frame size	No. of poles	Reference
CD 20 ... 63	0 ... 12	2 / 3 / 4 P	integrated
100 ... 160	13/14	3 P	5400 3016
100 ... 160	13/14	4 P	5400 4016
250	15	3 P	5400 3025
250	15	4 P	5400 4025
400	16	3 P	5400 3040
400	16	4 P	5400 4040



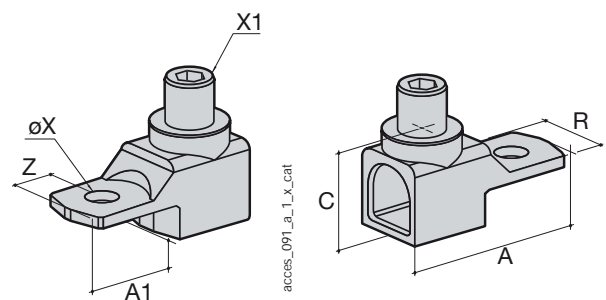
access\_053\_a\_1\_cat

### Connections

Rating (A)	Flexible cable cross-section (mm <sup>2</sup> )	Rigid cable cross-section (mm <sup>2</sup> )	Flexible bar width (mm)	Stripped over (mm)
100 ... 160	16 ... 95	16 ... 95	13	22
250	16 ... 185	16 ... 185	18	27
400	50 ... 240	50 ... 300	20	34

### Dimensions

Rating (A)	A	A1	C	R	ØX	X1	Z
100 ... 160	47.5	22.5	25	20	8.5	M12	10
250	62	31.5	31.5	25	10.5	M16	14
400	71.5	32	38	32	10.5	M20	15



access\_091\_a\_1\_x\_cat

access\_092\_a\_1\_x\_cat

## Handle key interlocking accessories

### Use

Locking in position 0 of the direct, front or right side operation:

- using a padlock (not supplied) in direct right side operation: integrated into the handle,

- using a padlock (not supplied): right-side or front operation switch from 32 to 1250 A, factory integrated

- using a padlock (not supplied) in external operation.

### Locking using RONIS EL 11 AP lock (not supplied)

Rating (A)	Frame size	Operation	Figure n°	Reference
CD 20 ... 1250	0 ... 18	external front	2	1499 7701
32 ... 63	1/2	direct	1	3629 7903
100 ... 400	3 ... 6	direct	1	3629 7913
630 ... 1250	17 ... 18	direct		3829 7923

### Locking using K-type CASTELL lock (not supplied)

Rating (A)	Frame size	Operation	Figure n°	Reference
CD 20 ... 1250	0 ... 18	external front	3	1499 7702

### Locking using FS-type CASTELL lock (not supplied)

Rating (A)	Frame size	Operation	Figure n°	Reference
CD 20 ... 1250	0 ... 18	external front	3	1499 7703

### Locking using XOP (not supplied)

Rating (A)	Frame size	Operation	Reference
CD 20 ... 1250	0 18	external front	1499 7702

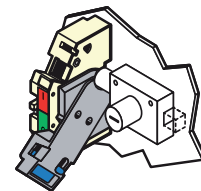


Fig. 1

access\_042\_a\_1\_x\_cat

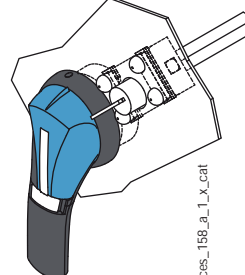


Fig. 2

access\_158\_a\_1\_x\_cat

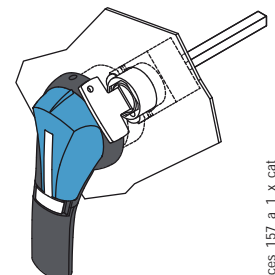


Fig. 3

access\_157\_a\_1\_x\_cat

## Label holder

### Use

Recognisable self-adhesive label allowing identification of the devices.

Dimensions W x H (mm)	Nb of pieces in KIT	Reference
18 x 13	5	7769 9999



access\_044\_a\_1\_cat

# FUSERBLOC

## Fuse combination switches

for industrial fuses up to 1250 A

### Characteristics according to IEC 60947-3

#### 20 to 100 A

Thermal current $I_{th}$ (40°C)	20 A	25 A	CD 32 A	CD 32 A	32 A	50 A	63 A	100 A
BS88/DIN fuse size	A1/-	-/10 x 38	-/10 x 38	A1/14 x 51	A1/-	-/14 x 51	A2-A3/00C	A4*/22 x 58
Frame size for direct operation	0	0	0	0	1	1	2	3
Switch body size for front and side operation	0	0	0	0	11	11	12	13
Rated insulation voltage $U_i$ (V)	800	800	800	800	800	800	800	800
Rated impulse withstand voltage $U_{imp}$ (kV)	8	8	8	8	8	8	8	8
Rated operational currents $I_e$ (A)								
Rated voltage	Utilisation category	A/B <sup>(1)</sup>	A/B <sup>(1)</sup>	A/B <sup>(1)</sup>	A/B <sup>(1)</sup>	A/B <sup>(1)</sup>	A/B <sup>(1)</sup>	A/B <sup>(1)</sup>
400 VAC	AC-22 A / AC-22 B	20/20	25/25	32/32	32/32	32/32	50/50	63/63
400 VAC	AC-23 A / AC-23 B	20/20	25/25	32/32	32/32	32/32	50/50	63/63
690 VAC	AC-22 A / AC-22 B	20/20	25/25	32/32	32/32	32/32	50/50	63/63
690 VAC	AC-23 A / AC-23 B	20/20	25/25	32/32	32/32	32/32	50/50	63/63
220 VDC	DC-20 A / DC-20 B			-/32		32/32	50/50	63/63
220 VDC	DC-21 A / DC-21 B		-/25 <sup>(4)</sup>			32/32	40/40	40/40
440 VDC	DC-20 A / DC-20 B					32 <sup>(3)</sup> /32 <sup>(3)</sup>	50 <sup>(3)</sup> /50 <sup>(3)</sup>	63 <sup>(3)</sup> /63 <sup>(3)</sup>
440 VDC	DC-21 A / DC-21 B					32 <sup>(3)</sup> /32 <sup>(3)</sup>	40 <sup>(3)</sup> /40 <sup>(3)</sup>	40 <sup>(3)</sup> /40 <sup>(3)</sup>
Operational power in AC-23 (kW)								
At 400 VAC without pre-break in AC <sup>(1)(5)</sup>		9/9	11/11	15/15	15/15	15/15	25/25	30/30
At 690 VAC without pre-break in AC <sup>(1)(5)</sup>		15/15	22/22	25/25	25/25	25/25	45/45	55/55
Reactive power (kvar)								
At 400 VAC <sup>(5)</sup>		8	11	15	15	15	23	28
Fuse protected short-circuit withstand BS88/DIN (kA rms prospective)								
Prospective short-circuit (kA rms) <sup>(6)</sup>		80/-	-/100	-/100	80/100	80/100	-/100	80/100
Associated fuse rating (A) <sup>(6)</sup>		20/-	-/25	-/32	32/32	32/32	-/50	63/63
Short-circuit capacity								
Rated peak withstand current (kA peak) <sup>(6)</sup>		5.5	5.5	5.5	5.5	9	7.6	10.6
Fuse selection (maximum fuse size)**								
SOCOMECS BS88 - Standard max	6A10 0020	6012 0025	6012 0032	6A10 0032	6A10 0032		6A30 0063	6A40 0100
SOCOMECS BS88 - Motor max	6A1M 0032	6013 0025	6013 0032	6A1M 0063	6A1M 0032		6A3M 0080	6A4M 0125
SOCOMECS DIN - Distribution (gl - gG)						6022 0050	6600 0063	6032 0100
SOCOMECS DIN - Motor (aM)						6023 0050	6601 0063	6033 0100
BUSSMANN - Standard max	NITD 20			NITD 32	NITD 32		BAO 63	CEO 100
BUSSMANN - Motor max	NITD 20M32			NITD 32M63	NITD 32M63		BAO 63M80	CEO 100M125
LAWSON - Standard max	NIT 20			NIT 32	NIT 32		TIS 63	TCP 100
LAWSON - Motor max	NIT 20M32				NIT 20M32		TIS 63M80	CTFP 100M125
GE - Standard max	NIT 20			NET 32	NET 32		TIS 63	TCP 100
GE - Motor max	NIT 20M32			NET 32M63	NET 32M63		TIS 63M80	OCP 100M125
Connection								
Minimum Cu cable cross-section (mm <sup>2</sup> )	2.5	2.5	2.5	2.5	6	6	10	25
Maximum Cu cable cross-section (mm <sup>2</sup> )	16	16	16	16	25	25	25	95
Maximum busbar width (mm)								20
Min. / Max. tightening torque min (Nm)	2/-	2/-	2/3	2	2.5/3	2.5/3	2.5/3	8.3/13
Mechanical characteristics								
Durability (number of operating cycles)	20 000	20 000	20 000	20 000	10 000	10 000	10 000	10 000
Weight of 3 P switch (kg)	0.48	0.48	0.48	0.50	0.80	0.80	1	1.5
Weight of 4 P switch (kg)	0.50	0.50	0.50	0.52	1	1	1.3	2
Weight of 1 P extra (kg)					0.2	0.2	0.3	0.5
Frame pitch (mm)					32	27	32	36

(1) Category with index A = frequent operation - Category with index B = infrequent operation.

(2) With terminal shrouds or terminal screen.

(3) 4-pole device with 2 pole in series by polarity.

(4) 3-pole device with 2 poles "+" in series and 1 pole "-".

(5) The power value is given for information only, the current values vary from one manufacturer to another.

(6) For a rated operational voltage  $U_e = 400$  VAC.

\* For fuse size A4: max diameter 31 mm.

\*\* Please ensure that fuse let through current does not exceed short-circuit capacity of the switch (kA peak).

## 125 to 200 A

Thermal current $I_{th}$ (40°C)	125 A	125 A	160 A	CD 160 A	160 A	160 A	CD 200 A	200 A
NFC/DIN fuse size	-/22 x 58	-/00	-/00	A3-A4*/-	A4/0	B1-B2/-	A3-A4*/-	B1-B2/-
Frame size for direct operation	3	3	3		4	4		5
Switch body size for front and side operation	13	13	13	13	14	14	13	15
Rated insulation voltage $U_i$ (V)	800	800	800	800	800	800	800	800
Rated impulse withstand voltage $U_{imp}$ (kV)	8	8	8	8	8	8	8	8

### Rated operational currents $I_e$ (A)

Rated voltage	Utilisation category	A/B <sup>(1)</sup>	A/B <sup>(1)</sup>	A/B <sup>(1)</sup>	A/B <sup>(1)</sup>	A/B <sup>(1)</sup>	A/B <sup>(1)</sup>	A/B <sup>(1)</sup>	A/B <sup>(1)</sup>
400 VAC	AC-22 A / AC-22 B	125/125	125/125	160/160	160/160	160/160	160/160	200/200	200/200
400 VAC	AC-23 A / AC-23 B	125/125	125/125	160/160	160/160	160/160	160/160	200/200	200/200
690 VAC	AC-22 A / AC-22 B	125 <sup>(2)</sup> /125 <sup>(2)</sup>	125 <sup>(2)</sup> /125 <sup>(2)</sup>	160 <sup>(2)</sup> /160 <sup>(2)</sup>	160 <sup>(2)</sup> /160 <sup>(2)</sup>	160 <sup>(2)</sup> /160 <sup>(2)</sup>	160 <sup>(2)</sup> /160 <sup>(2)</sup>	160 <sup>(2)</sup> /160 <sup>(2)</sup>	200 <sup>(2)</sup> /200 <sup>(2)</sup>
690 VAC	AC-23 A / AC-23 B	100 <sup>(2)</sup> /100 <sup>(2)</sup>	100 <sup>(2)</sup> /100 <sup>(2)</sup>	125 <sup>(2)</sup> /125 <sup>(2)</sup>	125 <sup>(2)</sup> /125 <sup>(2)</sup>	125 <sup>(2)</sup> /125 <sup>(2)</sup>	125 <sup>(2)</sup> /125 <sup>(2)</sup>	125 <sup>(2)</sup> /125 <sup>(2)</sup>	160 <sup>(2)</sup> /200 <sup>(3)</sup>
220 VDC	DC-20 A / DC-20 B	125/125	125/125	160/160	160/160	160/160	160/160	160/160	200/200
220 VDC	DC-21 A / DC-21 B	100/100	100/100	125/125	125/125	125/125	125/125	125/125	200/200
440 VDC	DC-22 A / DC-22 B	125 <sup>(3)</sup> /125 <sup>(3)</sup>	125 <sup>(3)</sup> /125 <sup>(3)</sup>	160 <sup>(3)</sup> /160 <sup>(3)</sup>	160 <sup>(3)</sup> /160 <sup>(3)</sup>	160 <sup>(3)</sup> /160 <sup>(3)</sup>	160 <sup>(3)</sup> /160 <sup>(3)</sup>	160 <sup>(3)</sup> /160 <sup>(3)</sup>	200 <sup>(3)</sup> /200 <sup>(3)</sup>
440 VDC	DC-23 A / DC-23 B	100 <sup>(3)</sup> /100 <sup>(3)</sup>	100 <sup>(3)</sup> /100 <sup>(3)</sup>	125 <sup>(3)</sup> /125 <sup>(3)</sup>	160 <sup>(3)</sup> /160 <sup>(3)</sup>	125 <sup>(3)</sup> /125 <sup>(3)</sup>	125 <sup>(3)</sup> /125 <sup>(3)</sup>	125 <sup>(3)</sup> /125 <sup>(3)</sup>	200 <sup>(3)</sup> /200 <sup>(3)</sup>

### Operational power in AC-23 (kW)

At 400 VAC without pre-break in AC <sup>(1)(4)</sup>	63/63	63/63	80/80	80/80	80/80	80/80	80/80	100/100
At 690 VAC without pre-break in AC <sup>(1)(4)</sup>	90/90	90/90	110/110	110/110	110/110	110/110	110/110	150/185

### Reactive power (kvar)

At 400 VAC <sup>(4)</sup>	55	55	75	70	75	75	90	90
---------------------------	----	----	----	----	----	----	----	----

### Fuse protected short-circuit withstand (kA rms prospective)

Prospective short-circuit (kA rms) <sup>(5)</sup>	-/100	-/100	-/100 (50)	50/-	80/100	80/100	50/-	80/-
Associated fuse rating (A) <sup>(5)</sup>	-/125	-/125	-/125 (160)	160/-	160/160	160/160	200/-	200/-

### Short-circuit capacity

Rated peak withstand current (kA peak) <sup>(5)</sup>	20	20	20	20	22.7	22.7	20	32.5
---	----	----	----	----	------	------	----	------

### Fuse selection (maximum fuse size)\*\*

SOCOMECS BS88 - Standard max				6A40 0160	6A40 0160	6B20 0160	6A40 0200	6B20 0200
SOCOMECS BS88 - Motor max				6A4M 0160	6A4M 0160	6B1M 0200	6A4M 0315	6B2M 0315
SOCOMECS DIN - Distribution (gl - gG)	6032 0125	6692 0125	6692 0160		6702 0160			
SOCOMECS DIN - Motor (aM)	6033 0125	6693 0125	6693 0160		6703 0160			
BUSSMANN - Standard max				DEO 160	DEO 160	DD 160	DEO 200	DD 200
BUSSMANN - Motor max				CEO 100M160	DEO 100M200	CD 100M200	DEO 200M315	DD 200M315
LAWSON - Standard max				CTFP 160	TFP 160	TF 160	TF 200	TF 200
LAWSON - Motor max				CTCP 100M160	TCP 100M200	TCP 100M200	TC 200M315	TC 200M315
GE - Standard max				TCP 100	TFP 160	TF 160	TF 200	TF 200
GE - Motor max				OCF 100M160	TCP 100M201	TC 100M200	TF 200M315	TF 200M315

### Connection

Minimum Cu cable cross-section (mm <sup>2</sup> )	35	35	35	35	50	50	35	95
Maximum Cu cable cross-section (mm <sup>2</sup> )	95	95	95	95	95	95	95	240
Maximum busbar width (mm)	20	20	20	20	20	20	20	32
Tightening torque min (Nm)	8.3/13	8.3/13	8.3/13	8.3/13	8.3/13	8.3/13	8.3/13	20/26

### Mechanical characteristics

Durability (number of operating cycles)	10 000	10 000	10 000	10 000	10 000	10 000	10 000	10 000
Weight of 3 P switch (kg)	1.5	1.5	1.8	1.8	1.8	1.8	1.8	3.2
Weight of 4 P switch (kg)	2	2	2.3	2.3	2.3	2.3	2.3	4.5
Weight of 1 P extra (kg)	0.5	0.5	0.5	0.5	0.5	0.5	0.5	1.3
Frame pitch (mm)	36	36	36	36	50	50	36	60

(1) Category with index A = frequent operation - Category with index B = infrequent operation.

(2) With terminal shrouds or phase barrier.

(3) 4-pole device with 2 poles in series per polarity.

(4) The power value is given for information only, the current values vary from one manufacturer to another.

(5) For a rated operational voltage  $U_n = 400$  VAC.

\*\* Please ensure that fuse let through current does not exceed short-circuit capacity of the switch (kA peak).

# FUSERBLOC

## Fuse combination switches

for industrial fuses up to 1250 A

### Characteristics according to IEC 60947-3 (continued)

#### 250 to 1250 A

Thermal current $I_{th}$ (40°C)	250 A	315 A	400 A	630 A	800 A	800 A	1250 A
NFC/DIN fuse size	B1-B2-B3/1	B1-B2-B3/-	B1-B2-B3-B4/2	C1-C2/3	C1-C2-C3/3	-/4	D1/4
Frame size for direct operation	5	6	6	17	17	18	18
Switch body size for front and side operation	15	16	16	17	17	18	18
Rated insulation voltage $U_i$ (V)	800	1000(800*)	1000(800*)	1000	1000	1000	1000
Rated impulse withstand voltage $U_{imp}$ (kV)	8	12(8*)	12(8*)	12	12	12	12

#### Rated operational currents $I_e$ (A)

Rated voltage	Utilisation category	A/B <sup>(1)</sup>	A/B <sup>(1)</sup>	A/B <sup>(1)</sup>	A/B <sup>(1)</sup>	A/B <sup>(1)</sup>	A/B <sup>(1)</sup>	A/B <sup>(1)</sup>
400 VAC	AC-22 A / AC-22 B	250/250	315/315	400/400	630/630	800/800	800/800	1250/1250
400 VAC	AC-23 A / AC-23 B	250/250	315/315	400/400	630/630	800/800	800/800	1000/1250
690 VAC	AC-22 A / AC-22 B	250 <sup>(2)</sup> /250 <sup>(2)</sup>	315 <sup>(2)</sup> /315 <sup>(2)</sup>	400/400	500/630	800/800	800/800	800/1250
690 VAC	AC-23 A / AC-23 B	250 <sup>(2)</sup> /250 <sup>(2)</sup>	315 <sup>(2)</sup> /315 <sup>(2)</sup>	315/400	315/400	630/630	800/800	800/1250
220 VDC	DC-20 A / DC-20 B	250/250	315/315	400/400	630/630	800/800	800/800	1250/1250
220 VDC	DC-21 A / DC-21 B	200/200	315/315	315/315	630/630	800/800	800/800	1250/1250
440 VDC	DC-22 A / DC-22 B	250 <sup>(3)</sup> / 250 <sup>(3)</sup>	315 <sup>(3)</sup> / 315 <sup>(3)</sup>	315 <sup>(3)</sup> /315 <sup>(3)</sup>	400 <sup>(3)</sup> /630 <sup>(3)</sup>	800 <sup>(3)</sup> / 800 <sup>(3)</sup>	800/800	1250 <sup>(3)</sup> / 1250 <sup>(3)</sup>
440 VDC	DC-23 A / DC-23 B	200 <sup>(3)</sup> / 200 <sup>(3)</sup>	250 <sup>(3)</sup> / 315 <sup>(3)</sup>	250 <sup>(3)</sup> / 315 <sup>(3)</sup>	400 <sup>(3)</sup> /630 <sup>(3)</sup>	800 <sup>(3)</sup> / 800 <sup>(3)</sup>	800/800 <sup>(3)</sup>	1000 <sup>(3)</sup> / 1000 <sup>(3)</sup>

#### Operational power in AC-23 (kW)

At 400 VAC without pre-break in AC <sup>(1)(4)</sup>	132/132	160/160	220/220	355/355	450/450	450/450	560/560
At 690 VAC without pre-break in AC <sup>(1)(4)</sup>	220/220	220/295	220/295	295/400	400/400	400/400	400/475

#### Reactive power (kvar)

At 400 VAC <sup>(4)</sup>	115	145	185	290	365	355	460
---------------------------	-----	-----	-----	-----	-----	-----	-----

#### Fuse protected short-circuit withstand (kA rms prospective)

Prospective short-circuit (kA rms) <sup>(5)</sup>	80/100	80/-	80/50	80/100	80/100	-/100	-/100
Associated fuse rating (A) <sup>(5)</sup>	250/250	315/-	400/400	630/630	800/800	-/800	-/1250

#### Short-circuit capacity

Rated peak withstand current (kA peak) <sup>(5)</sup>	32.5	40	40	70	80	80	90
---	------	----	----	----	----	----	----

#### Fuse selection (maximum fuse size)\*\*

SOCOMECS BS88	6B20 0250	6B30 0315	6B40 0400	6C20 0630	6C30 0800		
SOCOMECS BS88	6B2M 3015	6B3M 0400	6B4M 0500				
SOCOMECS DIN	6712 0250		6722 0400	6732 0400		6746 0800	6746 1200
SOCOMECS DIN	6713 0250		6723 0400	6733 0400		6747 0800	6747 1200
BUSSMANN	ED 250	ED 315	ED 400	FF 630	GF 800		
BUSSMANN	DD 200M315	ED 315M400	ED 400M500				
LAWSON	TKF 250	TKF 315	TMF 400	TTM 630	TLM 800		
LAWSON	TF 200M315	TKF 315M400	TMF 400M500				
GE	TKF 250	TKF 315	TMF 400	TTM 630	TLM 800		
GE	TF 200M315	TKF 315M355	TMF 400M450				

#### Connection

Minimum Cu cable cross-section (mm <sup>2</sup> )	95	185	185	2 x 150	2 x 185		
Maximum Cu cable cross-section (mm <sup>2</sup> )	240	240	240	2 x 300	2 x 300	4 x 185	4 x 185
Maximum busbar width (mm)	32	45	45	63	63	80	80
Tightening torque min (Nm)	20/26	20/26	20/26	40/45	40/45	40/45	40/45

#### Mechanical characteristics

Durability (number of operating cycles)	10 000	10 000	10 000	8 000	8 000	5 000	5 000
Weight of 3 P switch (kg)	3.2	4.8	4.8	16	17	25	25
Weight of 4 P switch (kg)	4.5	6.1	6.1	20	21.5	30	30
Weight of 1 P extra (kg)	1.3	1.3	1.3			3	3
Frame pitch (mm)	60	66	66	94	94	120	120

(1) Category with index A = frequent operation - Category with index B = infrequent operation.

(2) With terminal shrouds or terminal screen.

(3) 4-pole device with 2 pole in series by polarity.

(4) The power value is given for information only, the current values vary from one manufacturer to another.

(5) For a rated operational voltage  $U_e = 400$  VAC.

\* Direct operation switch.

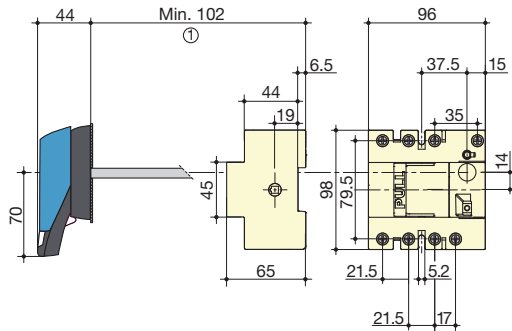
\*\* Please ensure that fuse let through current does not exceed short-circuit capacity of the switch (kA peak).

## Dimensions

### External operation

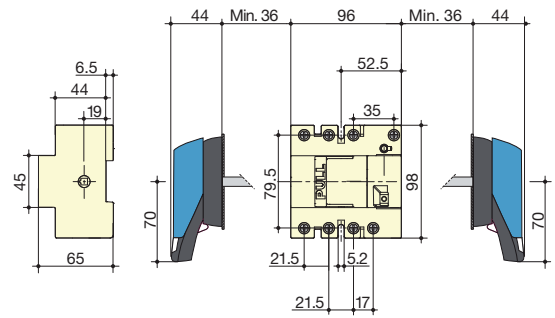
NFC and DIN CD 25 to CD 32 A in size 10 x 38

External front operation



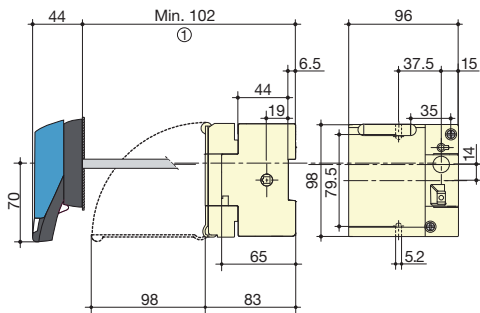
- 1. With 1 U-type AC: 130 mm.
- With 2 U-type AC: 155 mm.

External side operation



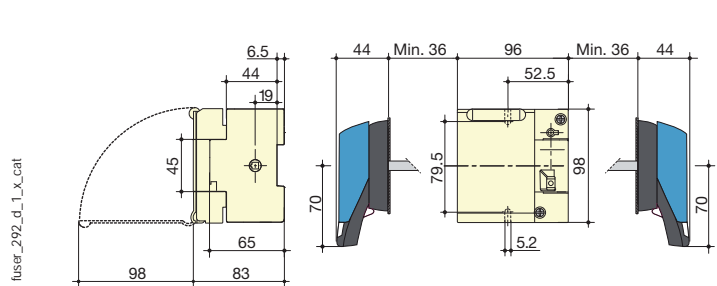
BS88 CD 20 to CD 32 A in size A1 - NFC and DIN 32 A in size 14 x 51

External front operation



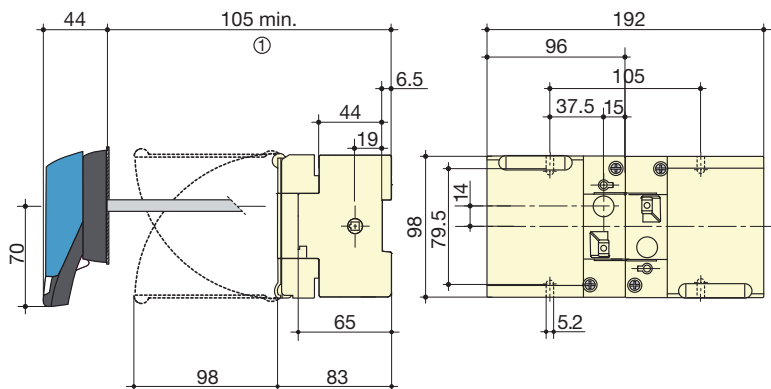
- 1. With 1 U-type AC: 130 mm.
- With 2 U-type AC: 155 mm.

External side operation



BS88 CD 20 to CD 32 A in size A1 - NFC and DIN 25 to 32 in size 10 x 38 and 14 x 51

External front operation fuse combination changeover



- 1. With 1 U-type AC: 130 mm
- With 2 U-type AC: 155 mm.

# FUSERBLOC

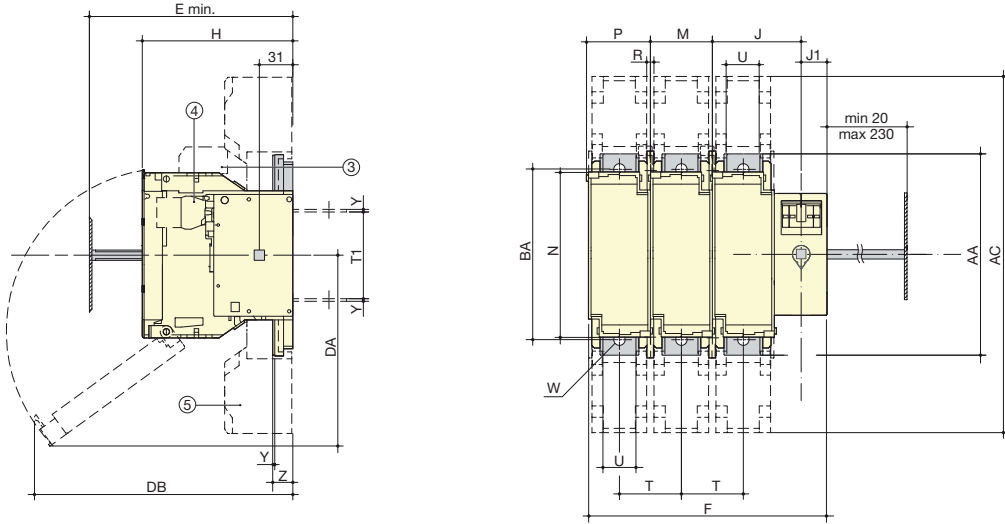
Fuse combination switches

for industrial fuses up to 1250 A

## Dimensions (continued)

### External operation

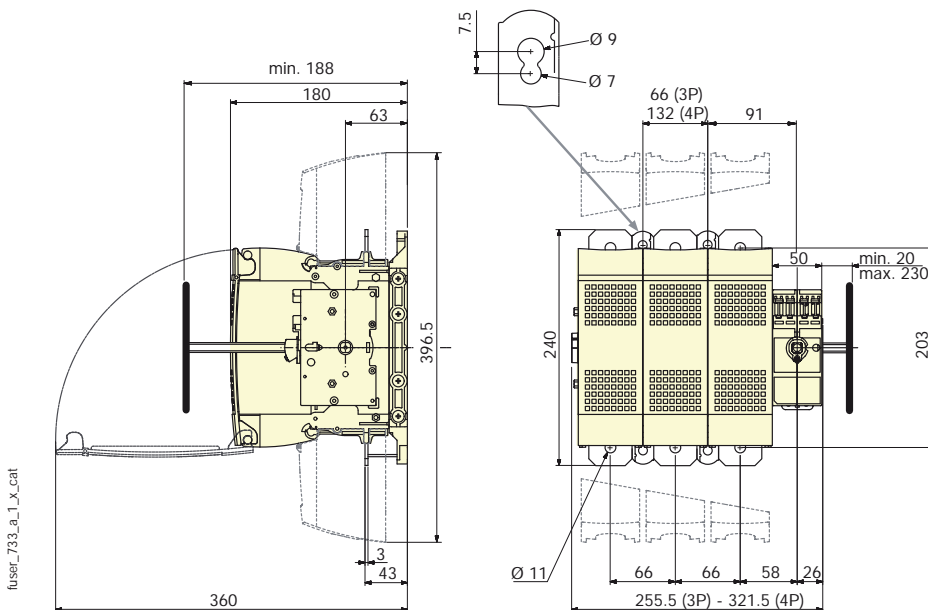
BS88 32 to 250 A - NFC and DIN 50 to 250 A



fuser\_733\_a\_1\_x\_cat.eps

Rating (A)	NFC/DIN Fuse size	BS88 Fuse size	Frame size	Overall dimensions E min	Terminal shrouds AC	Switch body								Switch mounting					Connection						
						F 3p.	F 4p.	H	J	J1	BC	DA	DB	M	N	P	R	T	T1	U	W	Y	Z	AA	BA
32	14 x 51	A1	11	100	-	121	148	87	45	18	70	85	153	27	106	31	6	27	59	12	-	2	-	118	-
50	00C	A2-A3	12	125	-	136	168	116	50	18	70	159	145	32	106	36	5.4	32	59	12	-	2	-	118	-
100	22x58	A4	13	135	268	148	184	116	54	18	125	141	179	36	127	40	5.4	36	62	20	8.5	2.5	19.5	162	141
125	00	-	13	135	268	148	184	126	54	18	125	141	189	36	127	40	5.4	36	62	20	8.5	2.5	19.5	162	141
CD 160	-	A3-A4	13A	145	268	148	184	139	54	18	125	141	-	36	130	40	5.4	36	78	18	8.5	3	20	162	141
160	0	A4-B1-B2	14	145	268	190	240	136	64	18	125	174	229	50	140	54	5.4	50	62	20	8.5	2.5	19.5	162	141
200	-	B1-B2	15	154	345	234	294	146	86	25	125	185	251	60	162	64	6.4	60	84	32	11	2.5	19.5	195	166
250	1	B1-B2-B3	15	154	345	234	294	146	86	25	125	185	251	60	162	64	6.4	60	84	32	11	2.5	19.5	195	166

BS88 315 to 400 A (size B1-B2-B3-B4) - DIN 400 A (size 2)

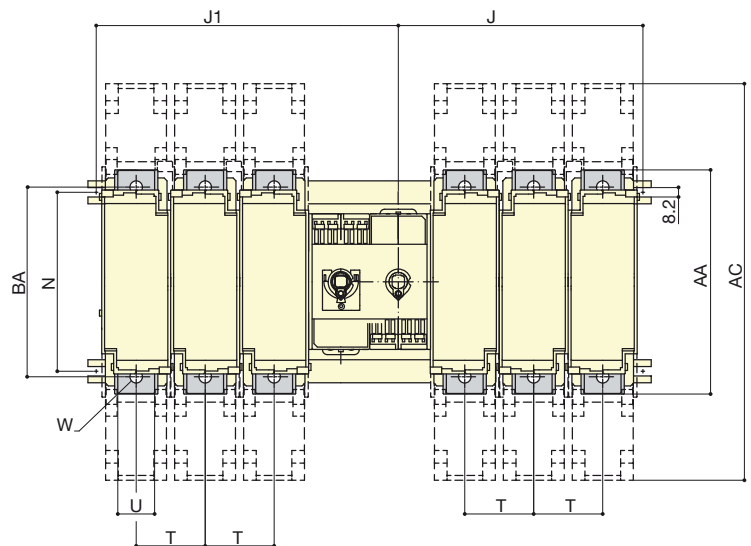
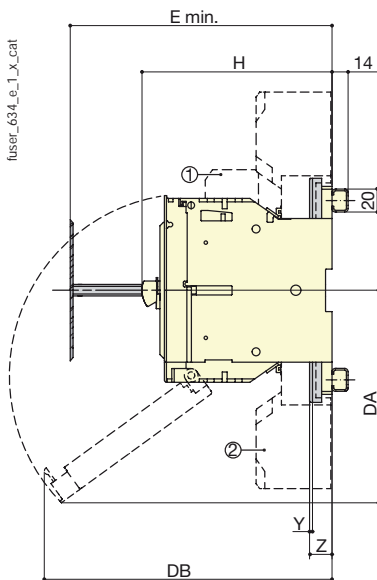
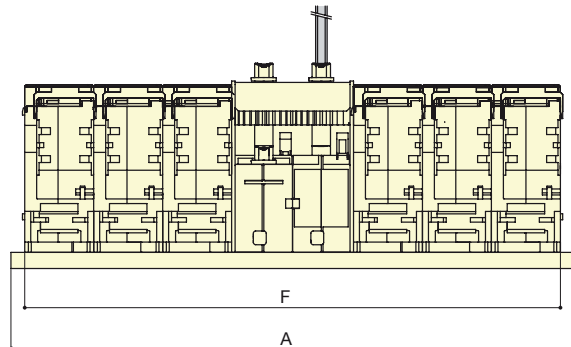


fuser\_733\_a\_1\_x\_cat



## BS88 - External front operation fuse combination changeover

32 to 400 A



- A. S1 handle: 32 and 63 A
- B. S1 handle: 100 to 400 A
- C. Door drilling

- 1. Fuse blown indication not available for BS88
- 2. Terminal shrouds

Rating (A)	Fuse size	Frame size	Dimensions				Terminal shrouds	Switch body								Switch mounting		Connection								
			A 3 P	A 4 P	E min	E max		F 3 P	F 4 P	H	J 3 P	J 4 P	J 1 3 P	J 1 4 P	DA	DB	N	T	U	W	Y	Z	AA	BA		
32	A1	11	264	318	100 <sup>(1)</sup>	146 <sup>(1)</sup>		242	296	87	102	129	138	165	85	153	90	27							118	
63	A2-A3	12	294	358	124	145		272	336	116.5	121	153	157	189	159	145	90	32							118	
100	A4	13	318	390	124	145	268	296	368	116 <sup>(2)</sup>	133	169	169	205	141	179	128	36	20	8.5	2.5	19.5	162	141		
CD 160	A3-A4	13 A	318	390	145	225	268	296	368	139	133	169	169	205			128	36	18	8.5	3	20	162	141		
160	A4	14	402	502	124	225	268	380	480	136.5	176	226	212	262	174	229	128	50	20	8.5	2.5	19.5	162	141		
160	B1-B2	14	402	502	130	225	268	380	480	136.5	176	226	212	262	174	229	128	50	20	8.5	2.5	19.5	162	141		
CD 200	A3-A4	13 A	318	390	145	225	268	296	368	139	133	169	169	205			128	36	18	8.5	3	20	162	141		
200	B1-B2	15	490	610	130	225	345	468	588	146	213	273	263	323	185	251	155	60	32	11	2.5	19.5	195	166		
250	B1-B2-B3	15	490	610	154	225	345	468	588	146	213	273	263	323	185	251	155	60	32	11	2.5	19.5	195	166		
315	B1-B2-B3	16	526	658	154	225	355	504	636	149	231	297	281	347	200	260	168	66	50	11	3	20	205	175		
400	B1-B2-B3-B4	16	526	658	157	225	355	504	636	149	231	297	281	347	200	260	168	66	50	11	3	20	205	175		

(1) 1 AC: + 23.5 mm / 2 AC: + 47 mm.  
(2) 132 mm with 2 AC.



# FUSERBLOC

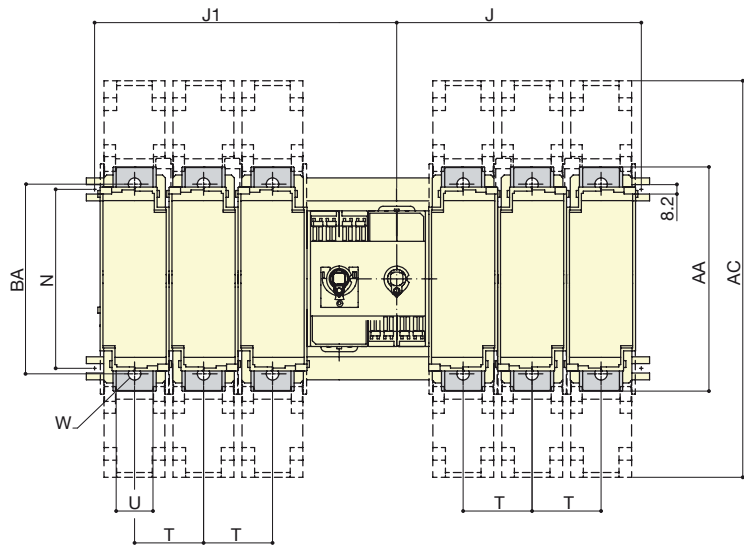
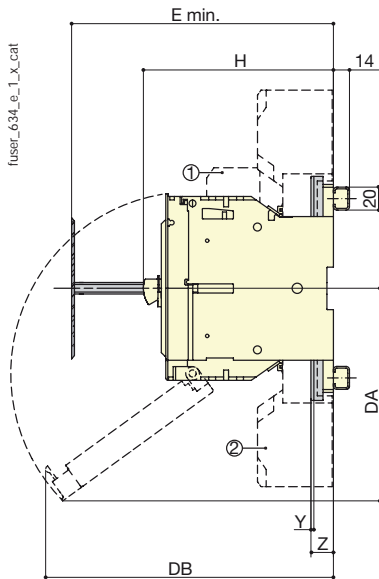
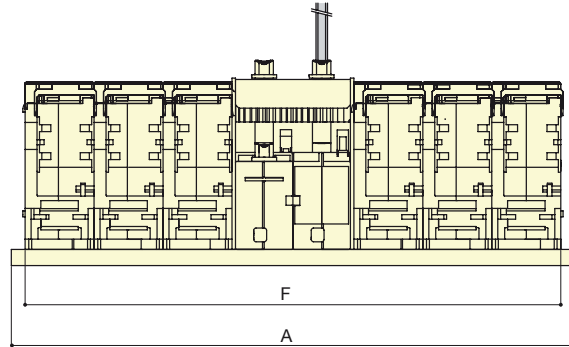
Fuse combination switches

for industrial fuses up to 1250 A

## Dimensions (continued)

### NFC and DIN - External front operation fuse combination changeover

50 to 400 A



- A. S1 handle: 50 and 63 A
- B. S2 handle: 100 to 400 A
- C. Door drilling

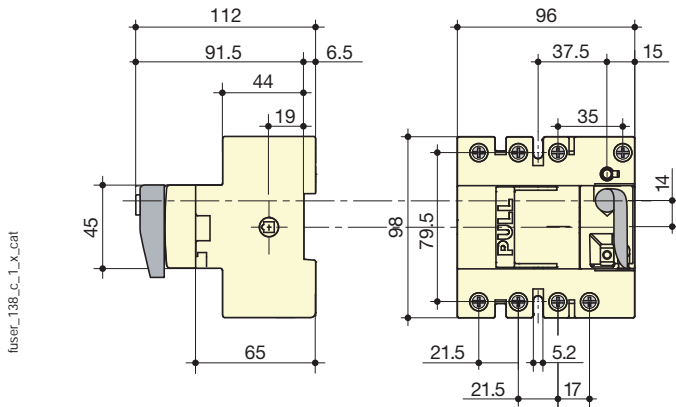
- 1. Fuse blown indication not available for BS88
- 2. Terminal shrouds

Rating (A)	Fuse size	Frame size	Overall dimensions				Terminal shrouds	Switch body								Switch mounting		Connection							
			A 3p	A 4p	E min	E max		F 3 P	F 4 P	H	J 3 P	J 4 P	J1 3 P	J1 4 P	DA	DB	N	T	U	W	Y	Z	AA	BA	
50	14 x 51	11	264	318	100 <sup>(1)</sup>	146 <sup>(1)</sup>		121	148	87 <sup>(1)</sup>	102	129	138	165	85	153	90	27						118	
63	00C	12	294	358	125	145		136	168	116.5 <sup>(2)</sup>	121	153	158	189	159	145	90	32					118		
100	22 x 58	13	318	390	135	145	268	148	184	116 <sup>(2)</sup>	133	169	169	205	141	187	128	36	20	8.5	2.5	19.5	162	141	
125	22 x 58	13	318	390	135	145	268	148	184	116 <sup>(2)</sup>	133	169	169	205	141	179	128	36	20	8.5	2.5	19.5	162	141	
125	00	13	318	390	135	145	268	148	184	126.5	133	169	169	205	141	193	128	36	20	8.5	2.5	19.5	162	141	
160	00	13	318	390	135	145	268	148	184	126.5	133	169	169	205	141	193	128	36	20	8.5	2.5	19.5	162	141	
160	0	14	402	502	145	225	268	190	240	136.5	176	226	212	262	174	229	128	50	20	8.5	2.5	19.5	162	141	
250	1	15	490	610	154	225	345	234	294	146	213	273	263	323	185	251	155	60	32	11	2.5	19.5	195	166	
400	2	16	526	658	157	225	355	252	318	149	231	297	281	347	200	260	168	66	50	11	3	20	205	175	

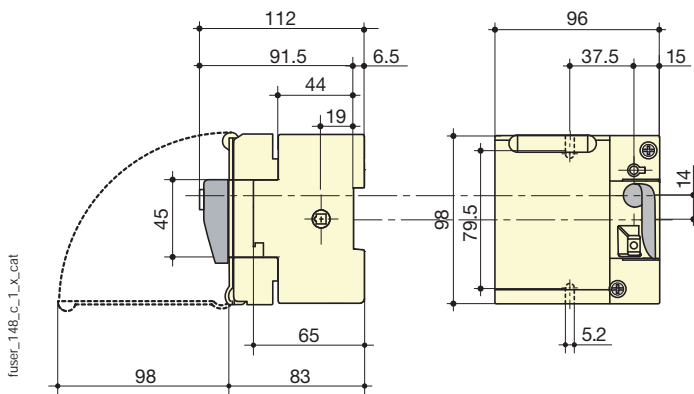
(1) 1 AC: +23.5 / 2 AC: +47  
 (2) 132 with 2 AC

**Direct operation**

NFC CD 25 to CD 32 A in frame size 0 / fuse size 10 x 38



BS88 CD 20 to CD 32 A in frame size 0 / fuse size A1 - NFC CD 32 A in frame size 0 / fuse size 14 x 51



# FUSERBLOC

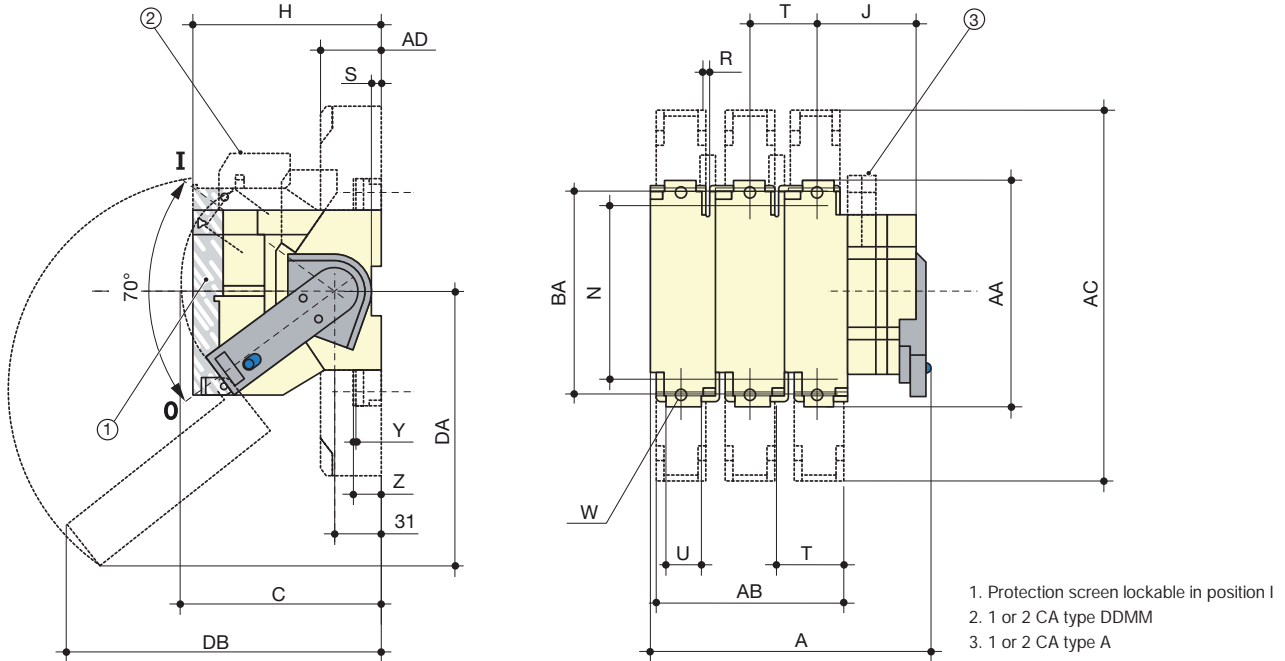
Fuse combination switches

for industrial fuses up to 1250 A

## Dimensions (continued)

### Direct operation (continued)

BS88 32 to 400 A - NFC and DIN 50 to 400 A

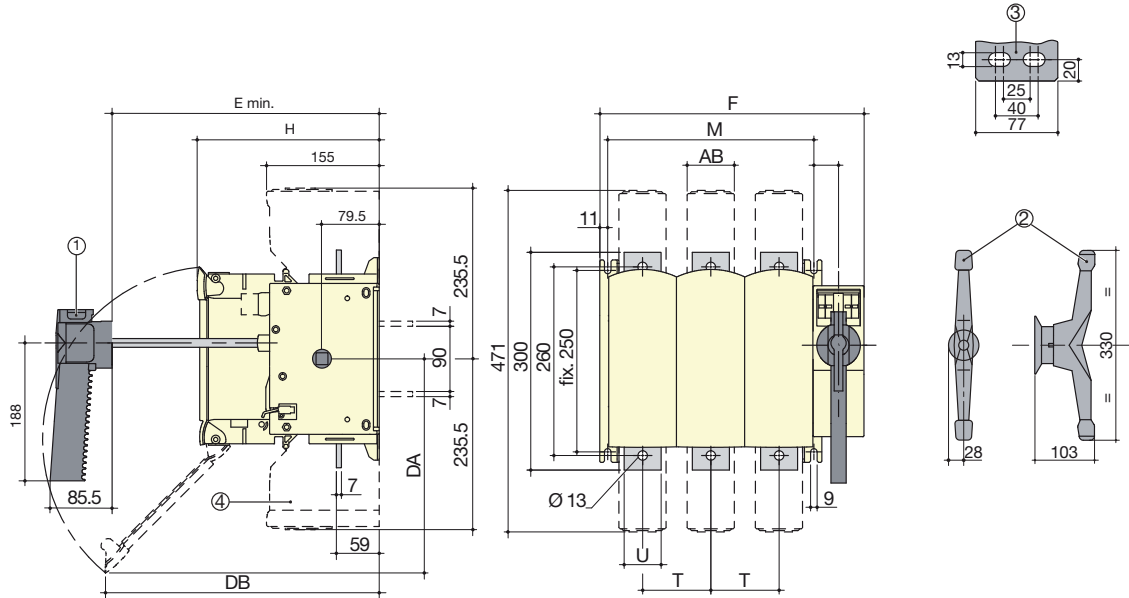


fuser\_06-4\_b\_1\_x\_cat

Rating (A)	NFC/DIN Fuse size	BS88 Fuse size	Frame size	Overall dimensions			Terminal shrouds				Switch body				Switch mounting			Connection							
				A 3p.	A 4p.	C	AB 3p.	AB 4p.	AC	AD	H	J	DA	DB	N	R	S	T	U	W	Y	Z	AA	BA	
32	-	A1	1	118	145	134	-	-	-	-	87	33.5	-	-	106	5.4	6.5	27	-	-	-	-	118	-	
50	14 x 51	-	1	118	145	134	-	-	-	-	87	33.5	-	-	106	5.4	6.5	27	-	-	-	-	118	-	
63	00C	A2-A3	2	133	165	134	-	-	-	-	116	36	159	145	106	5.4	6.5	32	-	-	-	-	118	-	
100	22 x 58	A4	3	150	186	173	108	144	268	44	116	38	-	-	127	5.4	-	36	20	8.5	2.5	19.5	162	141	
125	22 x 58	-	3	150	186	173	108	144	268	44	116	38	-	-	127	5.4	-	36	20	8.5	2.5	19.5	162	141	
125	00	-	3	150	186	173	108	144	268	44	126	38	141	193	127	5.4	-	36	20	8.5	2.5	19.5	162	141	
160	00	-	3	150	186	173	108	144	268	44	126	38	141	189	127	5.4	-	36	20	8.5	2.5	19.5	162	141	
CD 160	-	A3-A4	3A	152	188	173	108	144	268	44	139	38	-	-	130	5.4	-	36	20	8.5	3	19.5	162	141	
160	-	A4	4	192	242	173	136	172	268	44	136	45	174	229	140	5.4	-	50	20	8.5	2.5	19.5	162	141	
160	0	B1-B2	4	192	242	173	136	172	268	44	136	45	174	229	140	5.4	-	50	20	8.5	2.5	19.5	162	141	
CD 200	-	A3-A4	3A	152	188	173	108	144	268	44	139	38	-	-	30	5.4	-	36	20	8.5	3	19.5	162	141	
200	-	B1-B2	5	253	313	173	180	240	345	65	146	81	185	251	162	6.4	-	60	32	11	2.5	19.5	195	166	
250	1	B1-B2-B3	5	253	313	173	180	240	345	65	146	81	185	251	162	6.4	-	60	32	11	2.5	19.5	195	166	
315	-	B1-B2-B3	6	253	313	173	180	240	355	65	146	81	185	251	162	6.4	-	66	32	11	2.5	19.5	195	175	
400	2	B1-B2-B3-B4	6	271	337	173	192	258	355	65	149	86	200	260	172	6.4	-	66	50	11	3	20	205	175	

## External and direct operation

BS88 630 to 800 A - DIN 630 to 1250 A



1. For handle frame size 17.
2. For handle frame size 18.
3. Connection terminals for frame size 18.
4. Terminal shrouds.

Rating (A)	DIN Fuse size	BS88 Fuse size	Frame size	Overall dimensions		Switch body					Switch mounting		Connection		Terminal shrouds
				E min	F 3p.	F 4p.	H	DA	DB	M 3p.	M 4p.	T	U	AB	
630	3	C1-C2	17	265	364	458	250	300	380	284	378	94	51	65	
800	3	C1-C2-C3	17	265	364	458	250	300	380	284	378	94	51	65	
800	4	-	18	304	442	562	289	355	295	362	482	120	77	88	
1250	4	D1	18	304	442	562	289	355	295	362	482	120	77	88	

fuser\_415\_g\_1\_x\_cat

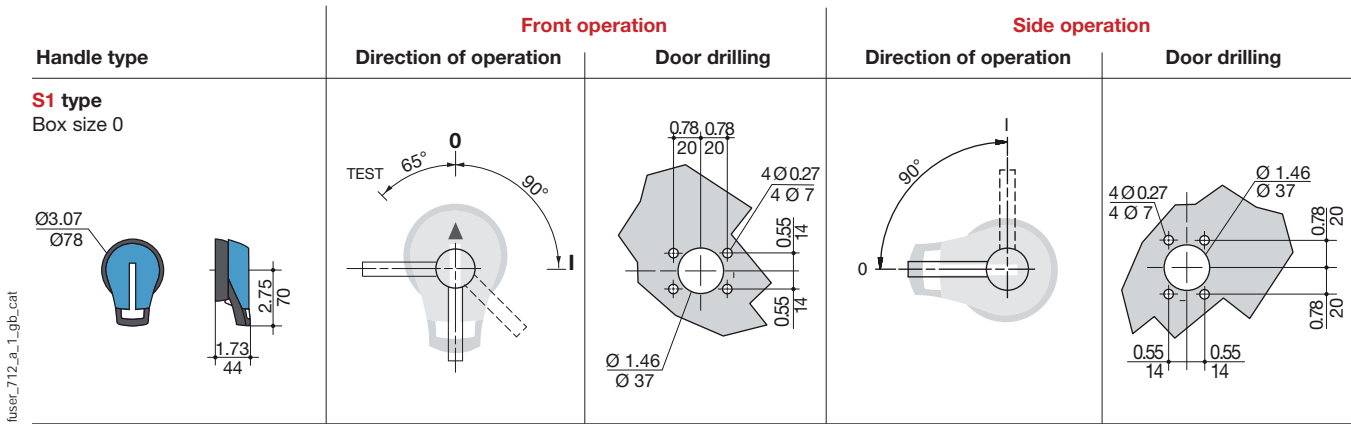
# FUSERBLOC

Fuse combination switches

for industrial fuses up to 1250 A

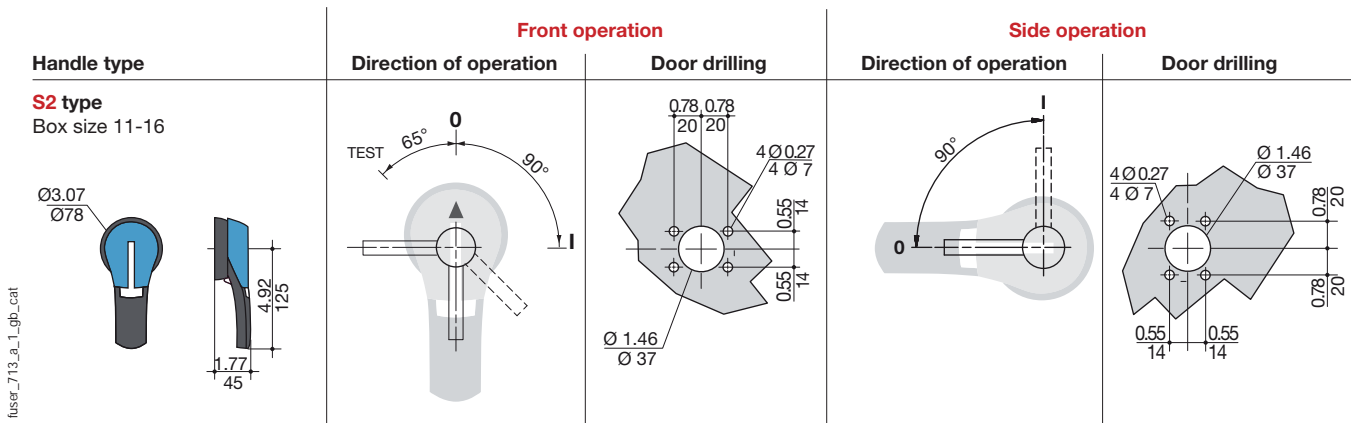
## Dimensions for external operation handles

BS88 - 32 to 63 A - NFC and DIN - 25 to 63 A



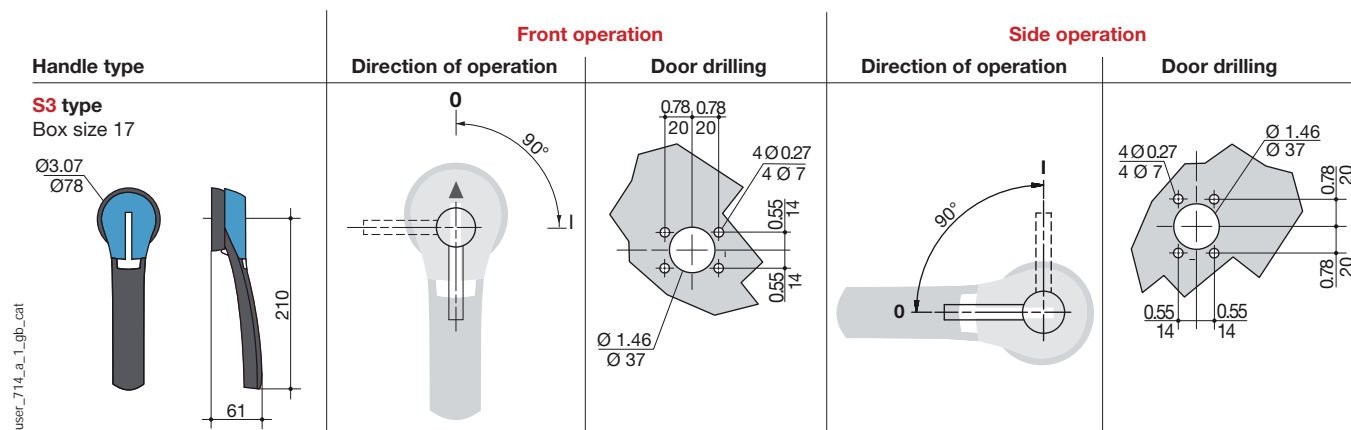
fuser\_712\_a\_1\_gb\_cat

BS88 / NFC and DIN - 100 to 400 A



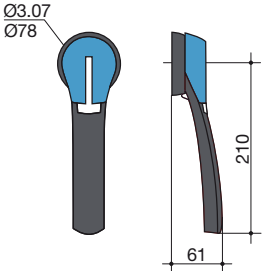
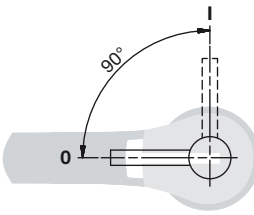
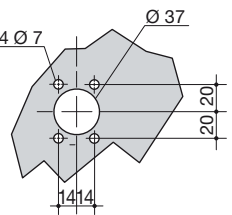
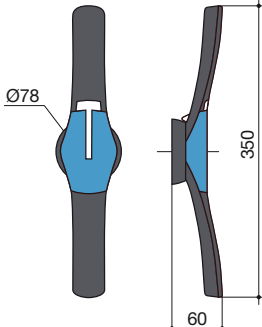
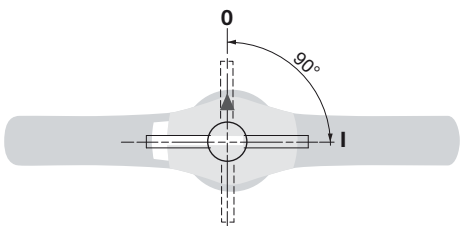
fuser\_713\_a\_1\_gb\_cat

BS88 / NFC and DIN - 630 to 800 A



fuser\_714\_a\_1\_gb\_cat

## BS88 / NFC and DIN - 800 to 1250 A

Handle type	Front operation Direction of operation	Side operation Direction of operation	Door drilling
<p><b>S3 type</b> Box size 18</p> 			
<p><b>S4 type</b></p> 			

fuser\_715\_a\_1\_gb\_cat