

**SUPERMOON**  
Powering modern work and life

Order at 訂貨熱線：

香港批發/分銷 T (852) 2781 2855

澳門批發/分銷 T (853) 2822 2751

工程/商業項目 T (852) 2691 9166

E enquiry@supermoon.hk

[www.supermoon.hk](http://www.supermoon.hk)

# Cablelink Plus Single Pan



## raised floor systems



### range introduction

Cablelink Plus Single Pan Box provides an effective interface between services beneath the floor and the office environment.

Designed to offer robustness and constructed with a single piece metal frame, the floorbox is available with 1 to 4 compartments and a choice of 95mm or 70mm box depths to cater for floor voids of restricted space.

### feature benefits

- Tested to pr EN50085-2-2 to accept 5000N load
- The range incorporates design features to ensure a fast and simple installation
- Designed to support Cat 6 structured cabling systems
- 70mm pan depth has been designed for those applications with shallow voids
- Device plate can be adjusted to provide increased wiring space or greater plug top clearance
- Self closing lid in accordance with draft IEC 61534-22
- Floorboxes are IP2X rated in accordance with BS EN50085-1
- Wide range of power and data accessory plates available to meet all requirements
- Quality, reliability and safety come as standard
- Provision of RCD protection available for compliance with 17th Edition Wiring Regulations'
- 5 year guarantee

## Cablelink Plus Single Pan Box

### ROBUST CORD CAPS

- Designed for improved retention

### OUTLET BOX COLOUR

- 'Grey' or 'Light Grey' option

### RATCHET LEVELLING SYSTEM

- Self levelling and rapid fitting of frame and lid

### CABLE RETAINERS

- Supplied as standard

### FLANGE FIXINGS

- Fast and simple installation

### WIDE RANGE OF POWER AND DATA PLATES

- Suitable for all applications
- Pre-configured options available for fast and simple installation on site



### HANDLE

- Designed for improved accessibility

### LID

- Simple carpet cut out
- Easily removable and reversible for improved accessibility
- Lid can be hinged from either of two sides
- Self closing in accordance with draft IEC 61534-22



### OPTIONAL TETHER

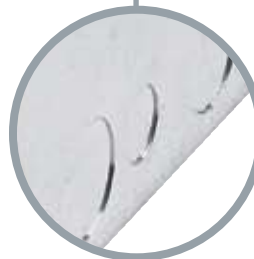
- Added security
- Eliminates lid losses



### STAGGERED PLATE

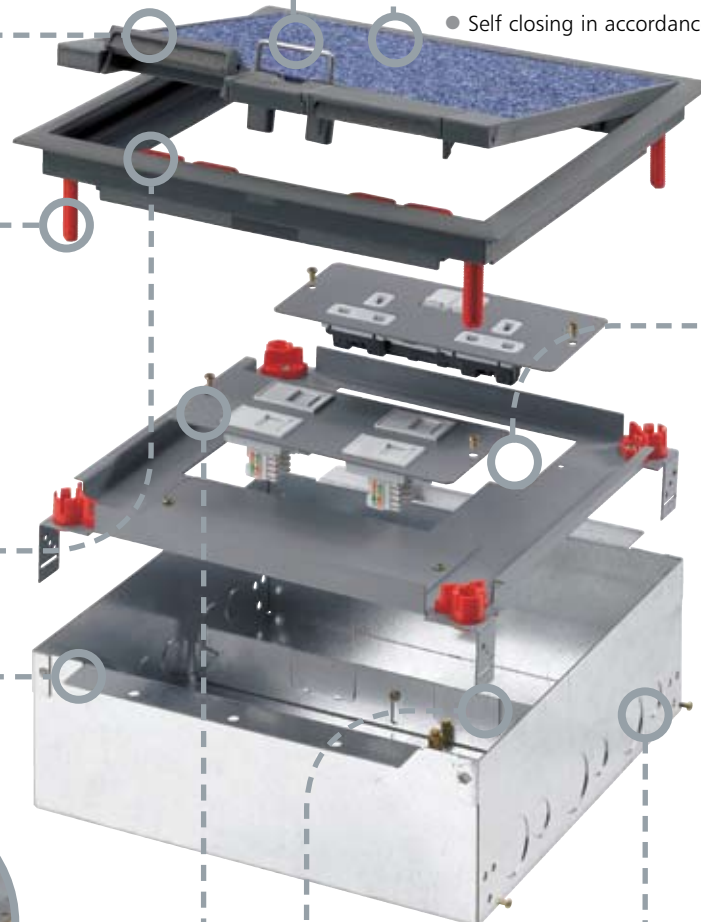
- Provides strain relief clearance for moulded plug tops
- Device plate can be positioned to provide 35mm or 45mm wiring space for Cat 6 compliance for 95mm depth floorbox, 25mm or 35mm for 70mm floorbox

### COMPARTMENT SEGREGATION



### SIDE KNOCKOUTS

- Pre-cut for fast and simple installation



## raised floor systems

### Cablelink Plus Single Pan Box

The Single Pan Box is ideal for use with the Interact Underfloor Power System.

#### Floorbox selector guide

- Floorboxes are ordered as one part – “Box, Frame and Lid”
- Box – select number of compartments required, box depth and choice of trim colour
- Accessory Plates – select from wide range of power and data options
- Optional Extras – e.g. lid tether and cable retainer available if required

#### Floorbox



BOX SIZE	100 x 200mm	200 x 200mm	265 x 265mm	340 x 265mm
COMPARTMENT	1	2	3	4
70mm Depth	CRB100-70-1GRY	CRB200-70-2GRY*	CRB265-70-3GRY*	CRB340-70-4GRY*
	CRB100-70-1LGY	CRB200-70-2LGY*	CRB265-70-3LGY*	CRB340-70-4LGY*
95mm Depth	CRB100-1GRY	CRB200-2GRY*	CRB265-3GRY*	CRB340-4GRY*
	CRB100-1LGY	CRB200-2LGY*	CRB265-3LGY*	CRB340-4LGY*

\* Lockable option available – add suffix ‘L’ e.g. CRB265UK-3GRYL. **Floorbox lids must never be locked whilst in use.** (for 2, 3 & 4 Comp.box) 90mm depth floorbox device plate is supplied fitted to provide 35mm wiring space with the option to 45mm allowing for Cat 6 compliance. 70mm depth floorbox device plate is supplied fitted to provide 35mm wiring space with the option to 25mm allowing for greater plug top clearance. Spare lids and frames are available.

If wiring space is 25mm, use side wired socket outlets – see Accessory Plates below.

For 200x200mm bases, use ‘Compact’ power and data plates only from the table below.

### Accessory Plates

Accessory plates are common to most ranges, they will fit all Cablelink Plus Single Pan, Screed, Flush and Onix Plus™ Floorboxes.

Standard Plates are for use with 100x200mm, 265x265mm and 340x265mm Floorboxes. Compact Plates are for use with 200x200mm Floorboxes only. Both Standard and Compact Plates are supplied in Light Grey (LGY) finish.

#### Serviced Power Plates

STANDARD PART NO.	COMPACT PART NO.	DESCRIPTION
CXP10730*	CXPC10730*	2G 13A Switch Socket Outlet
CXP10730NS*	CXPC10730NS*	2G 13A Switch Socket Outlet Non-Standard (T Pin)
CXP10731†	CXPC10731†	2G 13A Socket Outlet
CXP10731NS†	CXPC10731NS†	2G 13A Socket Outlet Non-Standard (T Pin)
CXP10745*	CXPC10745*	2G 13A Angled Socket Outlet
CXP10735	CXPC10735	2G 13A RCD Switch Socket Outlet
CXP10760	CXPC10760	2G 13A Switch Socket Outlet – Side Wired
CXP10720*	CXPC10720*	3G 13A Socket Outlet
CXP10740	CXPC10740	2G 16A 2P+E German Socket Outlet
CXP10741	CXPC10741	2G 15A 127V USA Socket Outlet

\* For Clean Earth wiring – add suffix ‘CE’ e.g. CXP10730CE.

Clean Earth Switched Power plates are identified with red rockers, unswitched with red sockets.

† Supplied with the MK Electric 3-pin safety shutter as standard

Compact Plates (power and data) are for use with 200x200mm base only.

#### Unserviced Data Plates

STANDARD PART NO.	COMPACT PART NO.	DESCRIPTION
CXP20101	CXPC20101	2x LJU/2 Apertures
CXP20200	CXPC20200	2x LJU6C Apertures
CXP20201*	CXPC20201*	4x LJU6C Apertures
CXP20215	CXPC20215	4x LJU6C Wave Apertures
CXP20205	CXPC20205	4x Krone Apertures
CXP20301	CXPC20301	6x LJU6C Apertures
CXP30501	CXPC30501	2x Euro 50x50mm Apertures
CXP30503	CXPC30503	1x Euro 150x50mm Aperture
CXP30502	CXPC30502	2x 45x45mm Module Apertures
CXP20117	CXPC20117	4x Alphasnap (Aperture 47.5mm x 23.6mm)
CXP20500	CXPC20500	4x ST Fibre Connector Apertures
CXP30201	CXPC30201	Blank Plate

\* Data apertures are supplied as knockouts.

### Optional Extras



Lid Tether

PART NO.	DESCRIPTION	PART NO.	DESCRIPTION
CX-01	Cable Retainers – pack of 10	CXLP100	Lid Packer 100x200 2mm
CX-02	Lid Tether Kit	CXLP200	Lid Packer 200x200 2mm
CX-03GRY	Cord Cap for 100x200 and 200x200mm Lid Grey	CXLP265	Lid Packer 265x265 2mm
		CXLP340	Lid Packer 340x265 2mm
CX-03LGY	Cord Cap for 100x200 and 200x200mm Lid Light Grey		
CX-04GRY	Cord Cap for 265x265 and 340x265mm Lid Grey		
CX-04LGY	Cord Cap for 265x265 and 340x265mm Lid Light Grey	CRXKEY	Lock Key – pack of 2



## 1 Compartment Configuration – 100x200mm Floorbox

	PART NO.	ACCESSORY PLATE 1	TAP-OFF
	CRP100-RCD	RCD Socket	NA
	CRP101	2G 13A Angled/ Switched Socket outlet	NA
	CRP121	1G 13A Socket and 2x LJU6C aperture	NA

## Pre-Configured Range

To aid fast and simple product selection, storage and installation, a selection of popular pre-configured floorboxes are available to order:

- 1, 2, 3 or 4 compartment options
- Supplied with Serviced Power and/or Unserviced Data Plates (Light Grey finish)
- Choice of standard plates or pre-wired to a tap-off
- Pre-wired boxes supplied with a choice of 3m or 5m tap-off. High Integrity Earthing compliant as standard

## 2 Compartment Configurations – 200x200mm Floorbox

	PART NO.	ACCESSORY PLATE 1	ACCESSORY PLATE 2	TAP-OFF
	CRP221	2G Switch Socket Outlet	4G Data Plate LJU6C	NA
	CRP221W	2G Switch Socket Outlet	4G Data Plate LJU6C	UT33201

Supplied as Grey (GRY) finish

## 3 Compartment Configurations – 265x265mm Floorbox

	PART NO.	ACCESSORY PLATE 1	ACCESSORY PLATE 2	ACCESSORY PLATE 3	TAP-OFF
	CRP321	2G Switch Socket Outlet	Blank	4G Data Plate LJU6C	NA
	CRP321W*	2G Switch Socket Outlet	Blank	4G Data Plate LJU6C	UT33201 Grey 4mm <sup>2</sup> 3m
	CRP333	2G Switch Socket Outlet	4G Data Plate LJU6C	4G Data Plate LJU6C	NA
	CRP333W*	2G Switch Socket Outlet	4G Data Plate LJU6C	4G Data Plate LJU6C	UT33201 Grey 4mm <sup>2</sup> 3m
	CRP334	2G Switch Socket Outlet	2G Switch Socket Outlet	4G Data Plate LJU6C	NA
	CRP334W*	2G Switch Socket Outlet	2G Switch Socket Outlet	4G Data Plate LJU6C	UT33201 Grey 4mm <sup>2</sup> 3m
	CRP336	2G Switch Socket Outlet Clean Earth	2G Switch Socket Outlet Clean Earth	4G Data Plate LJU6C	NA
	CRP336W*	2G Switch Socket Outlet Clean Earth	2G Switch Socket Outlet Clean Earth	4G Data Plate LJU6C	UT33204 CE Red 4mm <sup>2</sup> 3m

\*Tap-offs are also available in 5m options, add suffix '-5,' e.g. CRP321W-5.

Supplied as Grey (GRY) finish

## 4 Compartment Configurations – 340x265mm Floorbox

	PART NO.	ACCESSORY PLATE 1	ACCESSORY PLATE 2	ACCESSORY PLATE 3	ACCESSORY PLATE 4	TAP-OFF
	CRP431	2G Switch Socket Outlet	Blank	Blank	4G Data Plate LJU6C	NA
	CRP431W*	2G Switch Socket Outlet	Blank	Blank	4G Data Plate LJU6C	UT33201 Grey 4mm <sup>2</sup> 3m
	CRP433	2G Switch Socket Outlet	Blank	4G Data Plate LJU6C	4G Data Plate LJU6C	NA
	CRP433W*	2G Switch Socket Outlet	Blank	4G Data Plate LJU6C	4G Data Plate LJU6C	UT33201 Grey 4mm <sup>2</sup> 3m
	CRP434	2G Switch Socket Outlet	2G Switch Socket Outlet	Blank	4G Data Plate LJU6C	NA
	CRP434W*	2G Switch Socket Outlet	2G Switch Socket Outlet	Blank	4G Data Plate LJU6C	UT33201 Grey 4mm <sup>2</sup> 3m
	CRP436	2G Switch Socket Outlet Clean Earth	2G Switch Socket Outlet Clean Earth	Blank	4G Data Plate LJU6C	NA
	CRP436W*	2G Switch Socket Outlet Clean Earth	2G Switch Socket Outlet Clean Earth	Blank	4G Data Plate LJU6C	UT33204 CE Red 4mm <sup>2</sup> 3m
	CRP444	2G Switch Socket Outlet	2G Switch Socket Outlet	4G Data Plate LJU6C	4G Data Plate LJU6C	NA
	CRP444W*	2G Switch Socket Outlet	2G Switch Socket Outlet	4G Data Plate LJU6C	4G Data Plate LJU6C	UT33201 Grey 4mm <sup>2</sup> 3m

\*Tap-offs are also available in 5m options, add suffix '-5,' e.g. CRP321W-5.

Supplied as Light Grey (LG) finish

<sup>1</sup>In the published 17th Edition of the IEE Wiring Regulations, these requirements are found in Regulation 543.7. (16th Edition = Section 607)

## raised floor systems

### Metal Ducting System

Metal Ducting are offered as an alternative to Interact Power Busbars for distribution of data and power.

- Provides greater cable protection
- Provides EMC screening
- Manufactured from pre-galvanized sheet steel
- Epoxy powder coated in Orange as an option
- Cover in 2 parts of 1.22 mts length each with knockouts.

### Metal Ducting



Width	75	100	150	150	200	300	225	300	450
Compartment	1	1	1	2	2	2	3	3	3
Height	38	38	38	38	38	38	38	38	38
Part Nos	CRT75-1	CRT100-1	CRT150-1	CRT150-2	CRT200-2	CRT300-2	CRT225-3	CRT300-3	CRT450-3

Supplied in length of 2.44 m with covers 2 x 1.22 m in length  
 Knockouts on the top cover for cable outlets  
 Different depths available on request via MK Designer Services, see page 7.

### Junction Box

Width		100	150	150	200	300	225	300	450
Compartment		1	1	2	2	2	3	3	3
Height		38	38	38	38	38	38	38	38
Part Nos		CRJ100-38-1	CRJ150-38-1	CRJ150-38-2	CRJ200-38-2	CRJ300-38-2	CRJ225-38-3	CRJ300-38-3	CRJ450-38-3

Supplied with plain flat lid

### End Caps



Width	75	100	150	150	200	300	225	300	450
Compartment	1	1	1	2	2	2	3	3	3
Height	38	38	38	38	38	38	38	38	38
Part Nos	CRTE75	CRTE100	CRTE150	CRTE150	CRTE200	CRTE300	CRTE225	CRTE300	CRTE450

## Trunking Bracket Adjustable



Width	100	150	150	200	300	225	300	450
Compartment	1	1	2	2	2	3	3	3
Height	38	38	38	38	38	38	38	38
Part Nos	CRTB100A	CRTB150A	CRTB150A	CRTB200A	CRTB300A	CRTB225A	CRTB300A	CRTB450A

## Trunking Bracket Fixed



Width	100	150	150	200	300	225	300	450
Compartment	1	1	2	2	2	3	3	3
Height	38	38	38	38	38	38	38	38
Part Nos	CRTB100F	CRTB150F	CRTB150F	CRTB200F	CRTB300F	CRTB225F	CRTB300F	CRTB450F

## Vertical Access Box



Part No	Description
CRV200-1	Vertical Access Box 200x200x50mm for 38mm 1 compartment trunking
CRV225-3	Vertical Access Box 225x200x50mm for 38mm 3 compartment trunking
CRV300-2	Vertical Access Box 300x200x50mm for 38mm 2 compartment trunking
CRV300-3	Vertical Access Box 300x200x50mm for 38mm 3 compartment trunking
CRV450-3	Vertical Access Box 450x200x50mm for 38mm 3 compartment trunking

## raised floor systems

# Cablelink Plus Single Pan

**Cablelink Plus Single Pan Box provides an effective interface between services beneath the floor and the office environment. Robust design, constructed with a single piece metal frame, the floorbox is available with 1 to 4 compartments and a choice of 95mm or 70mm box depths.**

- Tested to pr EN50085-2-2 to accept 5000N load
- Designed to support Cat 6 structured cabling systems
- 70mm pan depth has been designed for those applications with shallow voids
- Device plate can be adjusted to provide increased wiring space or greater plug top clearance
- Self closing lid in accordance with draft IEC 61534-22
- Quality, reliability and safety come as standard
- Provision of RCD protection supports compliance with the 17th Edition Wiring Regulations'
- 5 year guarantee

### Materials

All plastic components are manufactured from UL94 V2 rated nylon.

Metal components are manufactured from pre-galvanised steel, accessory plates are powdercoated or colour coated.

### Standards

The Cablelink Plus Single Pan Box supports compliance with the latest edition of the IEE Wiring Regulations (BS 7671) and to BS EN50085 Part 1 and draft EN50085 Part 2-2. Additionally the floorboxes also comply with IEC 60670 Parts 1 and 23.

### Installation

Cablelink Plus Single Pan boxes should not be installed in the following situations:

- Where protruding electrical cables are likely to cause a safety hazard
- In passageways, especially where trolleys or other vehicles may be used
- On escape routes, as this may impede the evacuation of the occupants from the building
- Where the cleaning methods employed result in the formation of pools of liquid or soaking of the floor surface
- Desks, chairs, shelving, filing cabinets should not be positioned on the floorbox as this will interfere with opening the lid

### Cat 6 Compatibility

With the introduction of Cat 6 data cabling the orientation and depth of many data outlets has changed resulting in the need for greater backbox depths and wiring space to accommodate these longer data outlet. No longer is a 35mm wiring space sufficient to ensure data terminations can be made to the manufacturer's recommendations to prevent transmission losses. As a result MK has introduced 45mm wiring space for the Cablelink Plus Floorbox systems (as well as for the Prestige 3D wall trunking system). This easily accommodates the longer Cat 6 data outlets and leaves sufficient space for the data cable to run underneath it.

### Load Testing

Load Testing of Floorboxes to draft pr EN50085 Part 2-2 (Clauses 10.5.103 and 10.5.104).

The floorboxes have been tested to and comply with the loading requirements of draft pr EN50085 Part 2-2 (Cable trunking systems and cable ducting systems for electrical installations Part 2-2: Particular requirements for cable trunking systems and cable ducting systems intended for mounting underfloor, flushfloor, or onfloor).

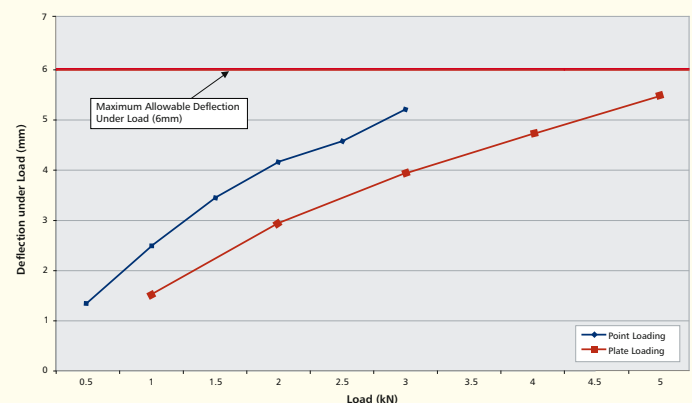
There are two loading criteria for the floorboxes - one with a point loading to replicate foot traffic for example, and the other, with a large plate to replicate fork trucks and heavier larger loads for example. For both loading criteria the maximum allowable deflection under load is 6mm and the maximum permanent deflection after the load has been removed is 3mm.

The loading graph shows that the maximum point loading classification achieved is 3kN and the maximum large plate loading classification achieved is 5kN.

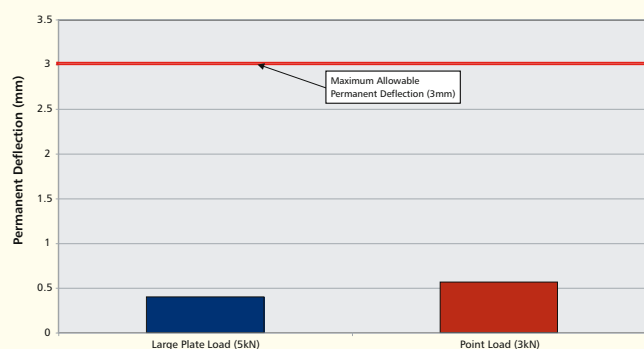
The permanent deflection graph shows the permanent deflection from the test wheel loading at 3kN is 0.55mm and large plate loading at 5kN is 0.4mm. This is well within the maximum allowable deflection of 3.0mm. The loading position is the centre of the lid.

Note: This test data specifically refers to the 265x265mm sized floorbox frame assembly. The other floorbox sizes also comply with the required test criteria. Declarations of conformity are available on request for the entire range.

### Lid Deflection – Cablelink Plus 265x265mm Frame Assembly



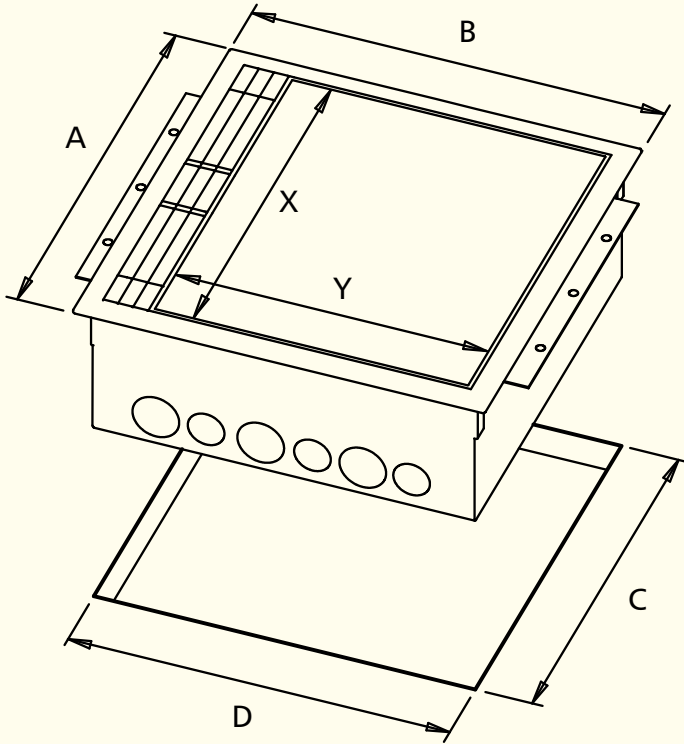
### Permanent Deflection After Removal of Load – Cablelink Plus 265x265mm Frame





## Cablelink Plus Single Pan

### Floorbox: Tile and Frame and Floor Tile Cut-Out Dimensions



DIMENSIONS (mm)				
	100x200mm	200x200mm	265x265mm	340x265mm
A	130	222	287	262
B	222	222	287	287
C*	115	210	275	350
D*	206	206	271	271

\* General tolerance = +1.5mm.

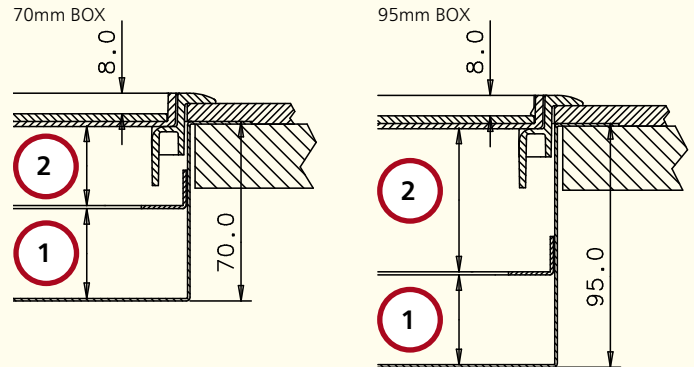
The table below shows the sizes required for the carpet lid infill for the Cablelink Plus Single Pan Floorboxes.

DIMENSIONS (mm)	100x200		200x200		265x265		340x265	
	X	Y	X	Y	X	Y	X	Y
Carpet Infill	93	152	185	152	251	219	326	219

### Knockouts

1 compartment box is supplied with 20 and 25mm knockouts. 2, 3 and 4 compartment boxes are supplied with 2x20mm, 1x25mm, 1x32mm knockouts respectively, per compartment.

† In the published 17th Edition of the IEE Wiring Regulations, these requirements are found in Regulation 543.7. (16th Edition = Section 607)

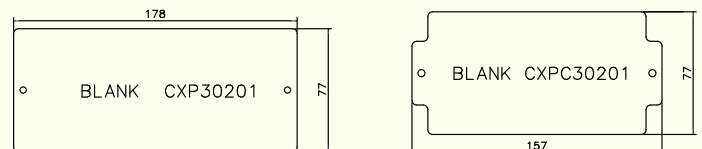


- ① This height can be adjusted on site. Please see table below for dimensions
- ② This dimension assumes a floor covering thickness of 8.0mm. A thinner covering will reduce this dimension accordingly.

### Plug Top Clearances

DIMENSIONS (mm)		70mm Box		95mm Box	
1	Wiring Space	35	25	35	45
2	Plug Top Clearance	31	41	56	46

### Plate Dimensions



### Dual Earth Sockets and High integrity Earthing†

Modern offices, schools, universities, laboratories etc, are heavy users of IT, computing and electronic equipment. As most of this equipment is fitted with a filter mechanism to protect data and data transmission against RFI and power surges, small earth leakages emanating from this equipment introduces a current onto the Circuit Protective Conductor (CPC) effectively turning this into a functional earth.

Should the CPC be broken, any equipment downstream of the break is no longer connected to earth. If a fault now occurs in this equipment, the CPC could rise to the mains potential and the fault transferred to other equipment on the circuit. The implicit risks to equipment, data and most importantly users in this situation are dealt with in the 17th Edition of the IEE Wiring Regulations†, and have led MK Electric to introduce Dual Earth Sockets.

Dual Earth Sockets allow the designer and installer to maintain the earth integrity of the system, in accordance the the 17th Edition of the IEE Wiring Regulations† is intended to maintain at all times the CPC to ensure safety.

### Clean Earth Sockets

Clean Earth Sockets allow the designer & installer to introduce a protective conductor connecting sensitive equipment i.e. a computer, directly to the main earth.

This reduces the possibility of 'noise' occurring on the protective conductor through induced voltages from other equipment, and hence can have benefits in maintaining data and data transmission integrity.



## MK ELECTRIC

MK Electric (Singapore) Pte Ltd 8 Pandan Crescent, UE Tech Park #01-06 (LL4), Singapore 128464	Telephone : (65) 6461 6333	Facsimile : (65) 6461 6336 / (65) 6461 6338
MK Electric (Malaysia) Sdn Bhd (Co. No. 39068-A) Komplek Perusahaan LTAT Jalan Pengapit 15/19, 40000 Shah Alam Selangor Darul Ehsan, Malaysia	Telephone : (603) 5519 4507	Facsimile : (603) 5510 8867
MK Electric (China) Ltd 25/F, Honeywell Tower, Olympia Plaza 255 King's Road, North Point, Hong Kong	Telephone : (852) 2331 9133 (852) 2834 1988	Facsimile : (852) 2151 9465
PT. MK Electric (Indonesia) Mangga Dua Harco Blok E25, Floor 4 Jakarta 10730	Telephone : (62) 021 625 6204	Facsimile : (62) 021 612 1987
<b>Website</b> <a href="http://www.mkelectric.com.sg">www.mkelectric.com.sg</a>	Publication No: MKM_ ACK_0308	

